



# MODEL E30SG-CP STUMP GRINDER

## EXPLODED VIEWS WITH PART NUMBERS

CONGRATULATIONS!

You are now the proud owner of a BARRETO stump grinder. The following pages have detailed views of your trencher, along with corresponding part numbers. If you have any questions or need any replacement parts in the future, please contact us at your convenience. Our toll-free phone number, fax and email are listed below and parts may be ordered through any of these methods.

Thank you for your patronage and confidence in BARRETO equipment.

Barreto Manufacturing, Inc.  
Innovative Equipment Engineered to Last  
66498 Highway 203  
La Grande, OR 97850  
1-800-525-7348  
1-541-963-6755 Fax  
E-Mail: [info@barretomfg.com](mailto:info@barretomfg.com)  
Web Site: <http://www.barretomfg.com>

### Machine Identification Record

BARRETO Customer number \_\_\_\_\_

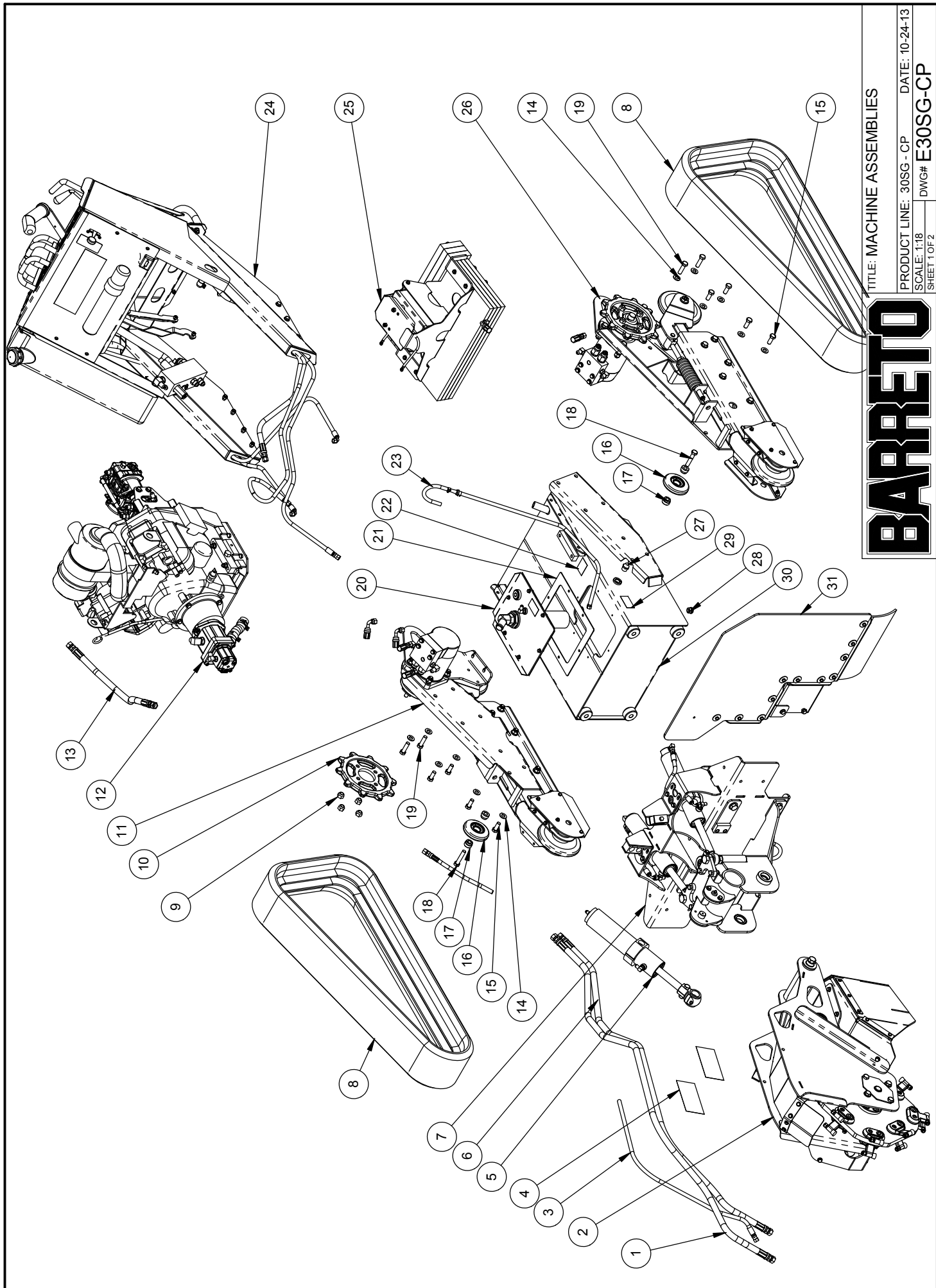
Machine model number \_\_\_\_\_

Machine serial number \_\_\_\_\_

Engine manufacturer \_\_\_\_\_

Engine model number \_\_\_\_\_

Engine serial number \_\_\_\_\_



TITLE: MACHINE ASSEMBLIES

PRODUCT LINE: 30SG - CP DATE: 10-24-13

SCALE: 1:18 DWG# E30SG-CP

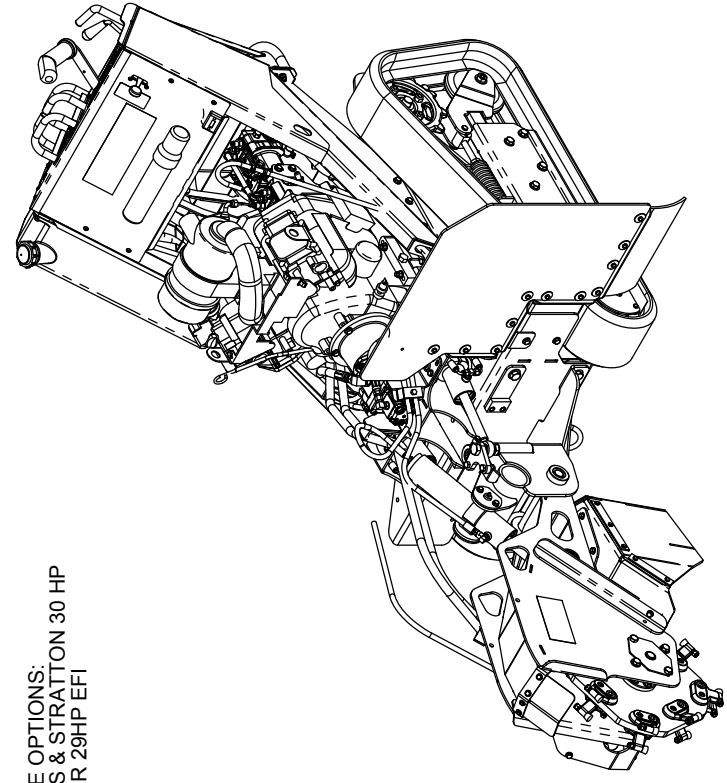
SHEET 1 OF 2

**BARRETO**

ITEM NO.	QTY.	PART NO.	DESCRIPTION
1	1	12364CP	HOSE, VALVE MID / MOTOR FRONT
2	1	100536	CUTTER HEAD ASSEMBLY
3	1	12385CP	HOSE, CASE DRAIN
4	2	04451-04	DECAL, "30-SG"
5	1	100537	CYLINDER ASSEMBLY
6	1	12365CP	HOSE, VALVE LOWER / MOTOR REAR
7	1	100535	PIVOT HEAD
8	2	10964	TRACK, 180 X 36 X 72
9	8	05042	NUT, LUG, 1/2-20 NF
10	2	10874	TRACK SPROCKET
11	1	100334-SG	CARRIAGE, RIGHT
12	1	100390TT2-BS30	ENGINE / PUMPS ASSEM., B&S 30
13	1	12358T	HOSE, PUMP - CUTTER VALVE
14	13	05102	WASHER, 1/2 SAE ZINC HARDENED
15	8	05323	HH CAP SCREW, 1/2-13 NC X 1-1/4 G5 ZINC
16	2	100366	MID ROLLER ASSY
17	4	11155	ROLLER SPACER, SHORT
18	2	11447	HH CAP SCREW, 1/2-13 NC X 2-1/2 G5 ZN
19	4	05129	HH CAP SCREW, 1/2-13 NC X 1-3/4 G5 ZINC
20	1	100499CP	LID ASSEMBLY
21	1	11178	LID GASKET
22	1	103341-18	DECAL, STUMP GRINDER S/N
23	1	11239	VENT HOSE ASSEMBLY
24	1	100498-T	CONTROL ASSEMBLY
25	1	100326	WEIGHT & BATTERY OPTIONS
26	1	100333-SG	CARRIAGE, LEFT
27	1	103503	SIGHT GAUGE
28	1	10361	FITTING, 6409-8 PLUG
29	1	103040-57	DECAL, "HYDRAULIC OIL LEVEL"
30	1	101270S	FRAME, STUMP CUTTER
31	1	100541	CHIP SHIELD

1

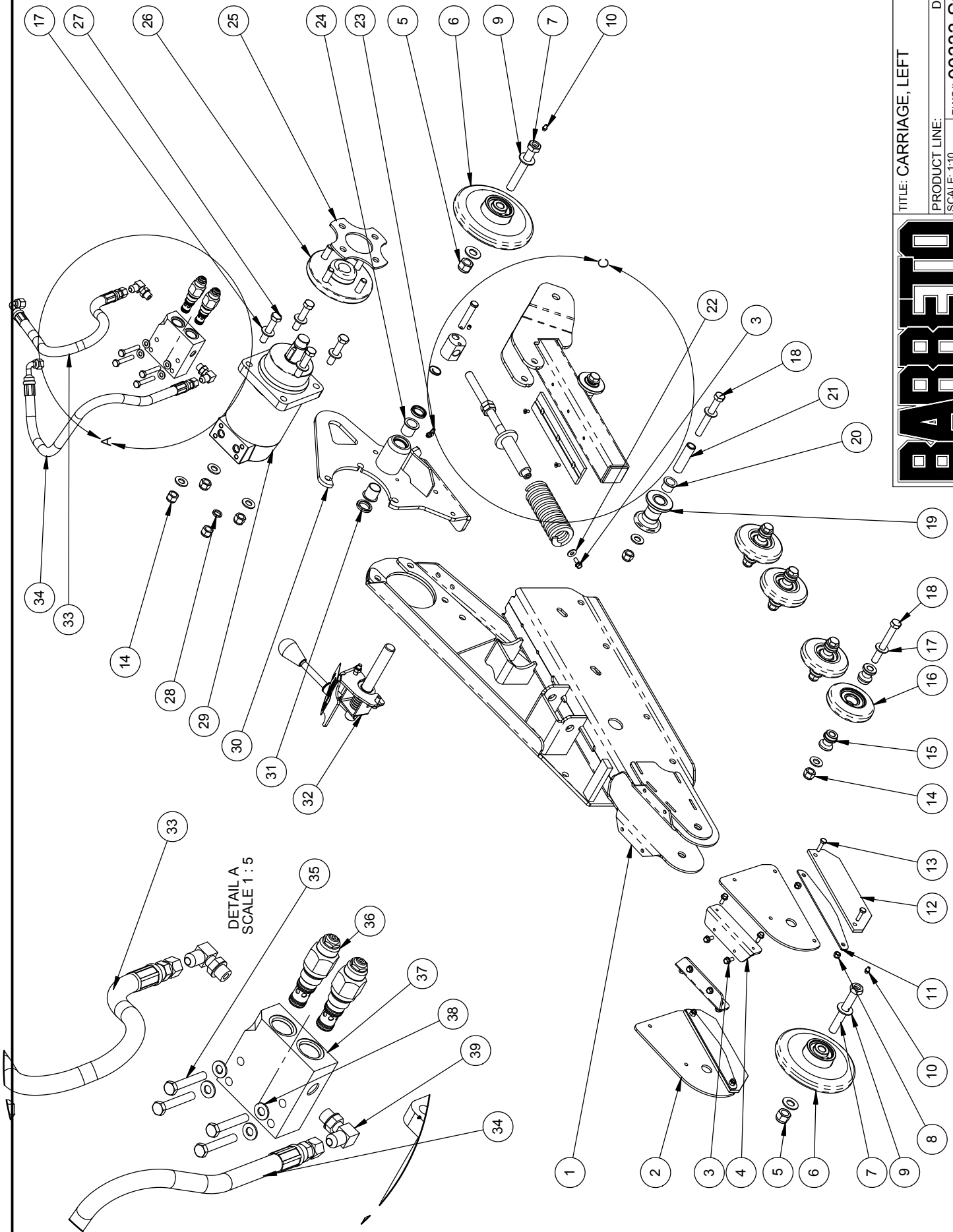
ENGINE OPTIONS:  
BRIGGS & STRATTON 30 HP  
KOHLER 29HP EFI



# BARRETO

TITLE: MACHINE ASSEMBLIES

PRODUCT LINE: 30SG - CP  
SCALE: 1:20  
DATE: 10-24-13  
DWG# E30SG-CP  
SHEET 2 OF 2



DETAIL A  
SCALE 1:5

TITLE: CARRIAGE, LEFT

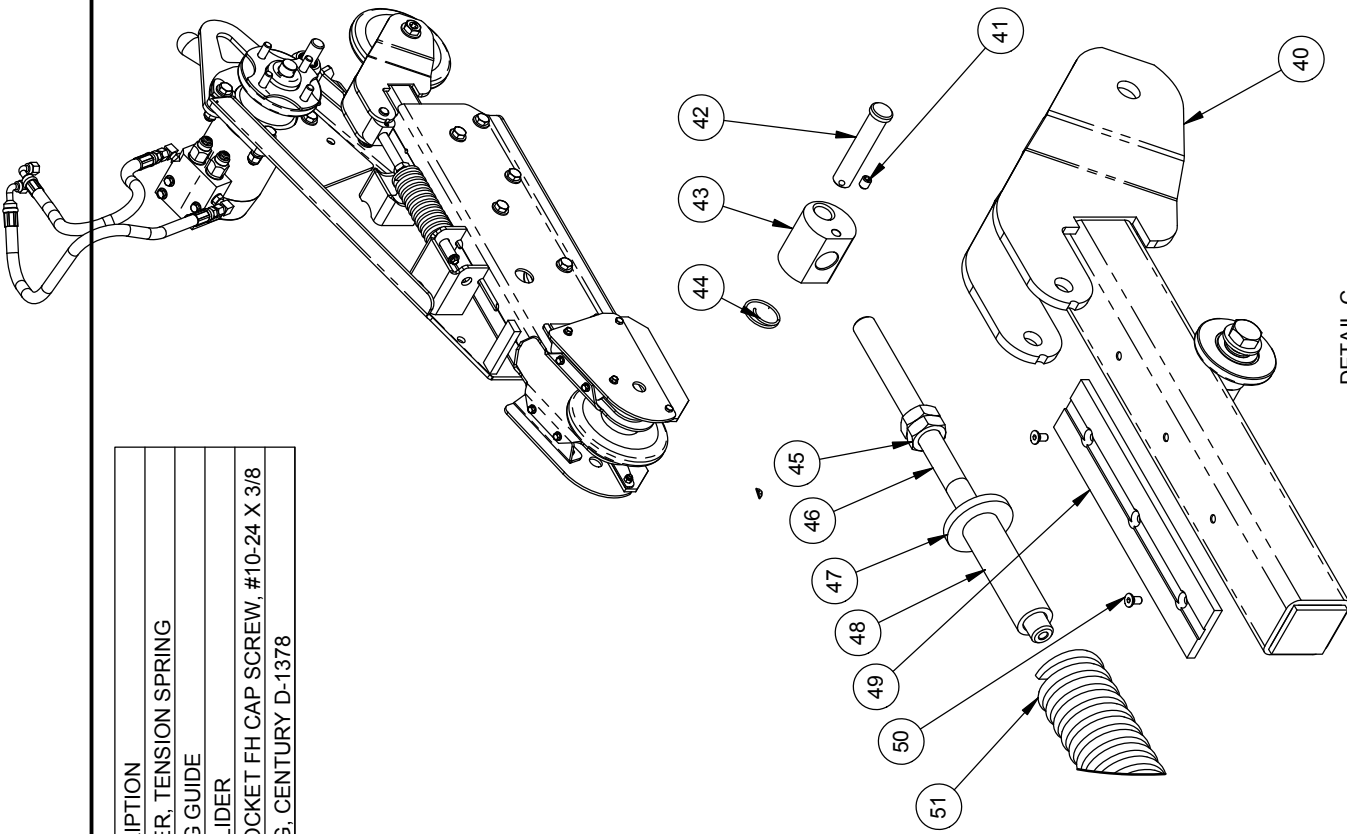
PRODUCT LINE: DATE: /08

SCALE: 1:10 DWG# 00333-SG

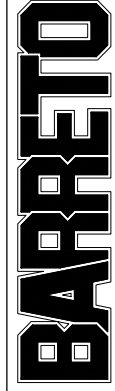
SHEET 1 OF 2

# BARRETO

ITEM NO.	QTY.	PART NO.	DESCRIPTION	ITEM NO.	QTY.	PART NO.	DESCRIPTION
1	1	10849-L	LEFT CARRIAGE	47	1	11157	WASHER, TENSION SPRING
2	2	11247	ROLLER GUARD	48	1	11470	SPRING GUIDE
3	9	05069	WHIZ LOCK, 1/4-20 NC X 5/8 ZINC	49	1	10910	ARM SLIDER
4	2	11251	ROLLER GUARD MOUNT	50	2	05084	HEX SOCKET FH CAP SCREW, #10-24 X 3/8
5	2	05099	NUT, NYLOCK, 5/8-11 NC ZINC	51	1	11674	SPRING, CENTURY D-1378
6	2	00335	IDLER ASSEMBLY				
7	2	11490	ROLLER AXLE, 5/8 X 4-1/2"				
8	4	05096	NUT, NYLOCK, 1/4-20 NC ZINC				
9	4	05272	WASHER, 5/8 SAE ZINC HARDENED				
10	2	05044	GREASE ZERK, 1/4-28 UNF				
11	2	11474	FLAP BACKING				
12	2	11475	FLAP				
13	4	05237	HH CAP SCREW, 1/4-20 NC X 1 G5 ZINC				
14	10	05098	NUT, NYLOCK, 1/2-13 NC ZINC				
15	8	11144	ROLLER SPACER				
16	4	00366	MID ROLLER ASSY				
17	19	05102	WASHER, 1/2 SAE ZINC HARDENED				
18	6	05590	HH CAP SCREW, 1/2-13 NC X 4 G5 ZINC				
19	2	10907	ARM ROLLER				
20	4	10272	BUSHING, IGUS MFI-1214-12				
21	2	10908	SPACER				
22	1	05078	WASHER, 1/4 USS ZINC				
23	1	05307	GREASE ZERK, 1/4-28 UNF 90°				
24	2	11680	BUSHING, IGUS LFI-1416-16				
25	1	12354	SPROCKET SHIM				
26	1	10827	WHEEL HUB, 1-1/4" TAPERED, SOLID				
27	4	11447	HH CAP SCREW, 1/2-13 NC X 2-1/2 G5 ZN				
28	1	03290	SPACER WASHER, .532 X .750 X .125				
29	1	04029	MOTOR, PARKER TF 0240WE080				
30	1	11462-L	WEIGHT MOUNT, E-BRAKE				
31	2	11711	ROD WIPER, .875 X 1.25 X .188				
32	1	00458-SG	PARK BRAKE ASSEMBLY				
33	1	12369	HOSE, REAR PUMP L. / L. MOTOR REAR				
34	1	12338	HOSE, REAR PUMP RT / L. MOTOR FRONT				
35	4	05566	HH CAP SCREW, 5/16-18 NC X 2 G5 ZINC				
36	2	04405	C-BALANCE CARTRIDGE, CB10-HV				
37	1	12329	C-BALANCE MANIFOLD, SDC10-3S				
38	4	05068	WASHER, 5/16 SAE ZINC				
39	2	04538	FITTING, 6801-6-6				
40	1	10876	IDLER ARM				
41	1	05021	SET SCREW, 1/4-20 UNC X 5/16, CUP POINT				
42	1	05250	CLEVIS PIN, 1/2 X 2-1/2 ZINC				
43	1	11156	TENSIONER END				
44	1	05039-7	CIRCLE COTTER, CC-7				
45	2	10707	NUT, JAM, 5/8-11 NC ZINC				
46	1	11170	TENSIONER STUD				



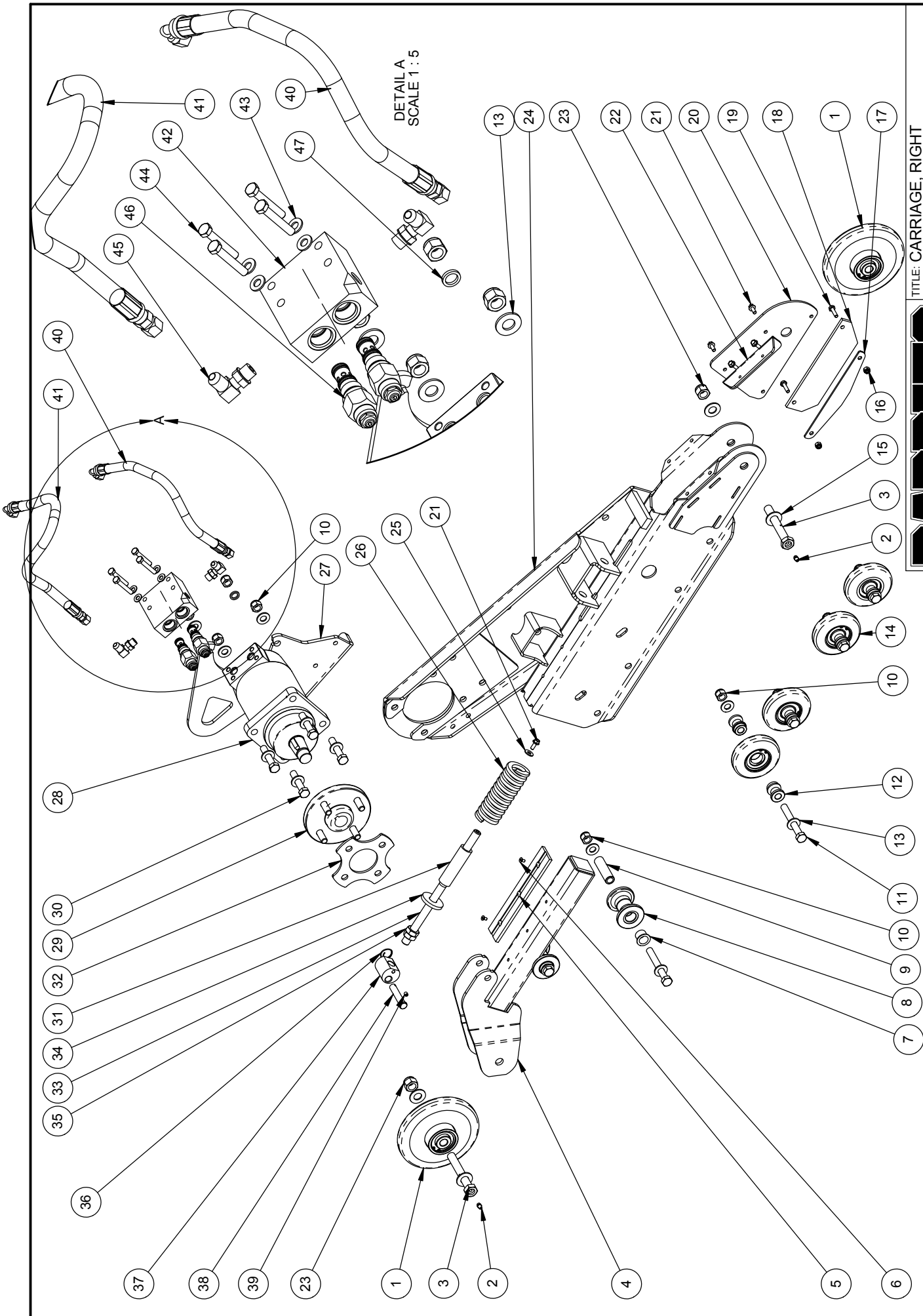
DETAIL C  
SCALE 1 : 5



TITLE: LEFT CARRIAGE

PRODUCT LINE: STUMP CUTTER DATE: 12-12

SCALE: 1:10 DWG# 00333-SG SHEET 2 OF 2



TITLE: CARRIAGE, RIGHT

PRODUCT LINE: STUMP GRINDER DATE: 7-12

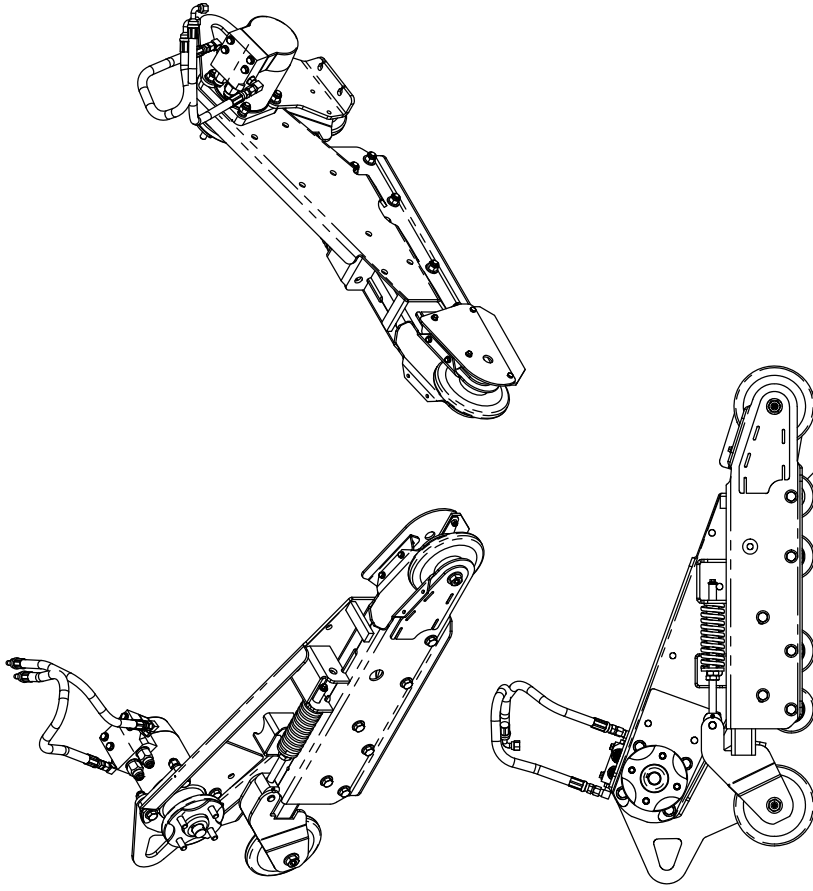
SCALE: 1:10

SHEET 1 OF 2

DWG# 00334-SG

# BARRETO

ITEM NO.	QTY.	PART NO.	DESCRIPTION
1	2	100335	IDLER ASSEMBLY
2	2	05044	GREASE ZERK, 1/4-28 UNF
3	2	11490	ROLLER AXLE, 5/8 X 4-1/2"
4	1	10876	IDLER ARM
5	1	10910	ARM SLIDER
6	2	05084	HEX SOCKET FH CAP SCREW, #10-24 X 3/8
7	4	10272	BUSHING, IGUS MFI-1214-12
8	2	10907	ARM ROLLER
9	2	10908	SPACER
10	10	05098	NUT, NYLOCK, 1/2-13 NC ZINC
11	6	05590	HH CAP SCREW, 1/2-13 NC X 4 G5 ZINC
12	8	11144	ROLLER SPACER
13	19	05102	WASHER, 1/2 SAE ZINC HARDENED
14	4	00366	MID ROLLER ASSY
15	4	05272	WASHER, 5/8 SAE ZINC HARDENED
16	2	05096	NUT, NYLOCK, 1/4-20 NC ZINC
17	1	11474	FLAP BACKING
18	1	11475	FLAP
19	2	05237	HH CAP SCREW, 1/4-20 NC X 1 G5 ZINC
20	1	11247	ROLLER GUARD
21	5	05069	WHIZ LOCK, 1/4-20 NC X 5/8 ZINC
22	1	11251	ROLLER GUARD MOUNT
23	2	05099	NUT, NYLOCK, 5/8-11 NC ZINC
24	1	10849-R	RIGHT CARRIAGE
25	1	05078	WASHER, 1/4 USS ZINC
26	1	11674	SPRING, CENTURY D-1378
27	1	11462-R	WEIGHT MOUNT, RIGHT
28	1	04029	MOTOR, PARKER TF 0240WE080
29	1	10827	WHEEL HUB, 1-1/4" TAPERED, SOLID
30	4	11447	HH CAP SCREW, 1/2-13 NC X 2-1/2 G5 ZN
31	1	11470	SPRING GUIDE
32	1	12354	SPROCKET SHIM
33	1	11170	TENSIONER STUD
34	1	11157	WASHER, TENSION SPRING
35	2	10707	NUT, JAM, 5/8-11 NC ZINC
36	1	05039-7	CIRCLE COTTER, CC-7
37	1	11156	TENSIONER END
38	1	05250	CLEVIS PIN, 1/2 X 2-1/2 ZINC
39	1	05021	SET SCREW, 1/4-20 UNC X 5/16, CUP POINT
40	1	12367	HOSE, FRONT PUMP LEFT / RT MOTOR FRONT
41	1	12368	HOSE, FRONT PUMP RT / RT MOTOR REAR
42	1	12329	C-BALANCE MANIFOLD, SDC10-3S
43	4	05068	WASHER, 5/16 SAE ZINC
44	4	05566	HH CAP SCREW, 5/16-18 NC X 2 G5 ZINC
45	2	04538	FITTING, 6801-6-6
46	2	04405	C-BALANCE CARTRIDGE, CB10-HV
47	1	03290	SPACER WASHER, .532 X .750 X .125

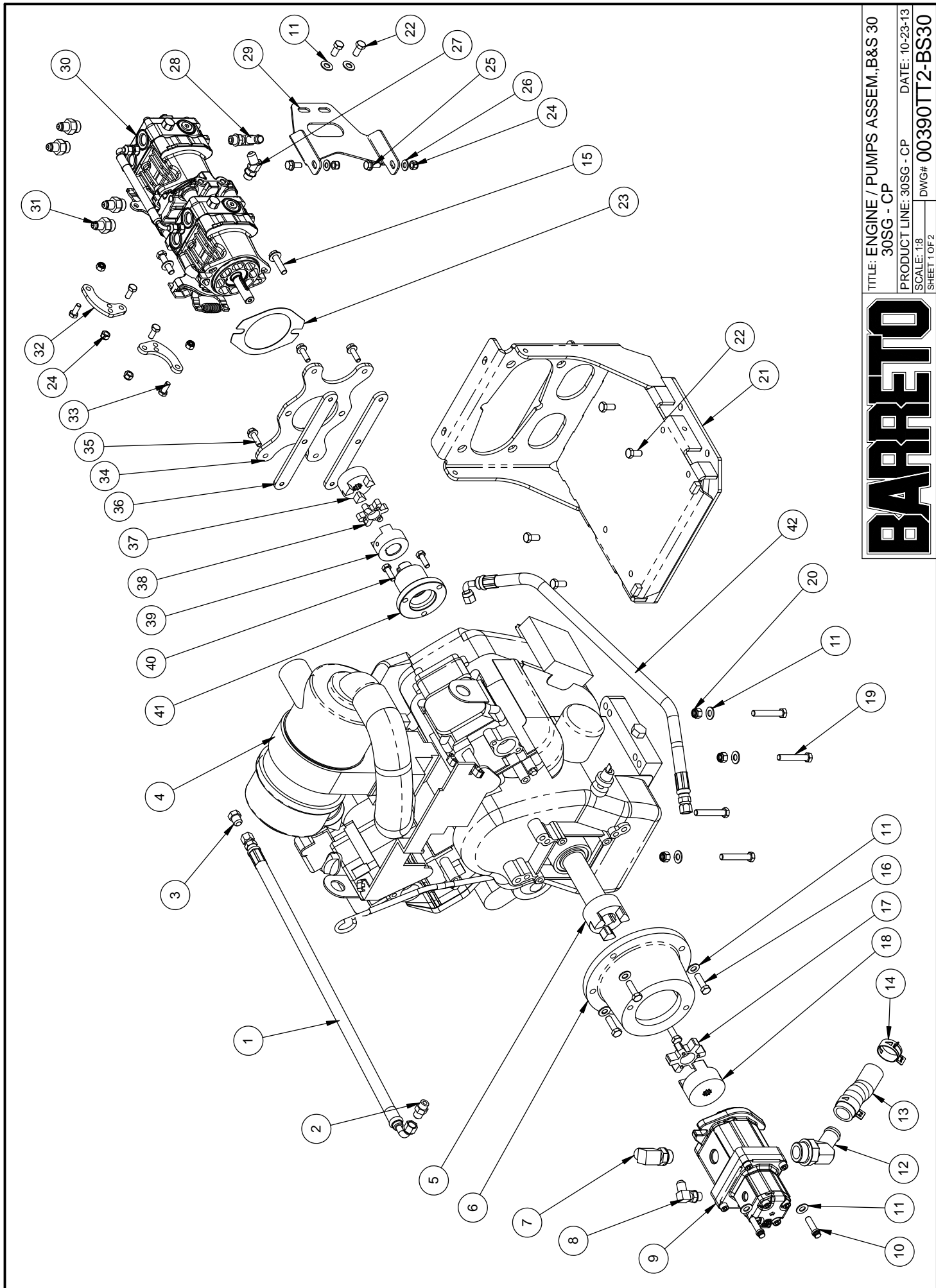


# BARRETO

TITLE: RIGHT CARRIAGE

PRODUCT LINE: STUMP GRINDER      DATE: 7-12

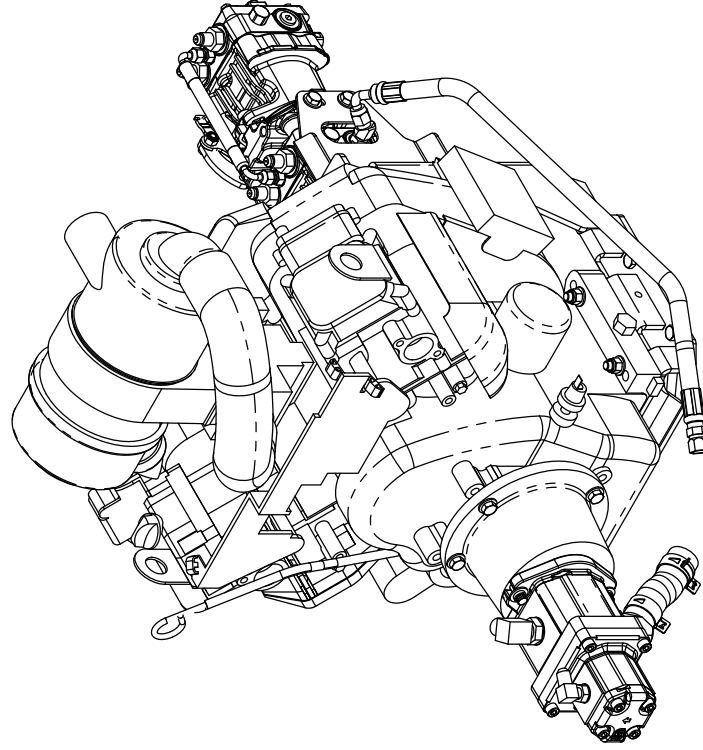
SCALE: 1:16      DWG# 00334-SG  
SHEET 2 OF 2



TITLE: ENGINE / PUMPS ASSEM., B&S 30  
 30SG - CP  
 PRODUCT LINE: 30SG - CP  
 SCALE: 1:8  
 SHEET: 1 OF 2  
 DATE: 10-23-13  
 DWG#: 00390TT2-BS30

# BARRETO

ITEM NO.	QTY.	PART NO.	DESCRIPTION
1	1	12320	ENGINE DRAIN HOSE
2	1	04215	FITTING, 9067-6-14 METRIC
3	1	04539	FITTING, 2408-6
4	1	B&S-30	ENGINE, BRIGGS 30
5	1	12454	JAW COUPLER, 1.125. L-099
6	1	02016	PUMP ADAPTER
7	1	04211	FITTING, 6801-8-10
8	1	04538	FITTING, 6801-6-6
9	1	04021-P	TANDEM PUMP, PNT-14+1.2, PARKER
10	2	05152	FLANGE SCREW 12 PT, 3/8-NC
11	14	05101	WASHER, 3/8 SAE ZINC
12	1	12484	FITTING, 4603-16-16
13	1	12715	SUMP HOSE, 1" X 4.3"
14	2	05225	CLAMP, 1-1/2" HOSE, CTB-36 ST
15	2	05092	HH CAP SCREW, 3/8-16 NC X 1-1/2 G5 ZINC
16	4	05091	HH CAP SCREW, 3/8-16 NC X 1-1/4 G5 ZINC
17	1	12456	SPIDER, HYTREL, L-099
18	1	12455	JAW COUPLER, 9T SAE A, L-099
19	4	05352	HH CAP SCREW, 3/8-16 NC X 2-1/4 G5 ZINC
20	4	05073	NUT, NYLOCK, 3/8-16 NC ZINC
21	1	12459BT	ENGINE MOUNT, BRIGGS
22	6	05057	HH CAP SCREW, 3/8-16 NC X 3/4 G5 ZINC
23	1	12470-S2	PUMP SHIM, 10CC
24	6	05273	NUT, NYLOCK, 5/16-18 NC ZINC
25	2	05131	HH FLANGE SCREW, 5/16-18 NC X 3/4 G8 ZINC
26	2	05068	WASHER, 5/16 SAE ZINC
27	1	11074	FITTING, 6802-6-6
28	1	11070	FITTING, 4601-8-6
29	1	12376T	PUMP SUPPORT
30	1	12730	HYDRO PUMP, 10CC TANDEM
31	4	04226	FITTING, 6400-6-8
32	2	12447T	EXTEND ARM
33	4	05247	HH CAP SCREW, 5/16-18 NC X 3/4 G5 ZINC
34	1	12469T	PILOT PLATE
35	4	05567	HH FLANGE SCREW, 5/16-18 NC X 1" G8 ZINC
36	2	12729	TAPPED BAR
37	1	12779	JAW COUPLER, DRIVE PUMP, L090, 9T
38	1	03022	SPIDER, RUBBER
39	1	03023	JAW COUPLER, 1" BORE L095
40	3	12380	HH CAP SCREW, M8-1.25 X 25MM ZINC
41	1	12285L-BS	FRONT ENGINE SHAFT, BRIGGS, LONG
42	1	12339	HOSE, HYDROSTAT DRAIN

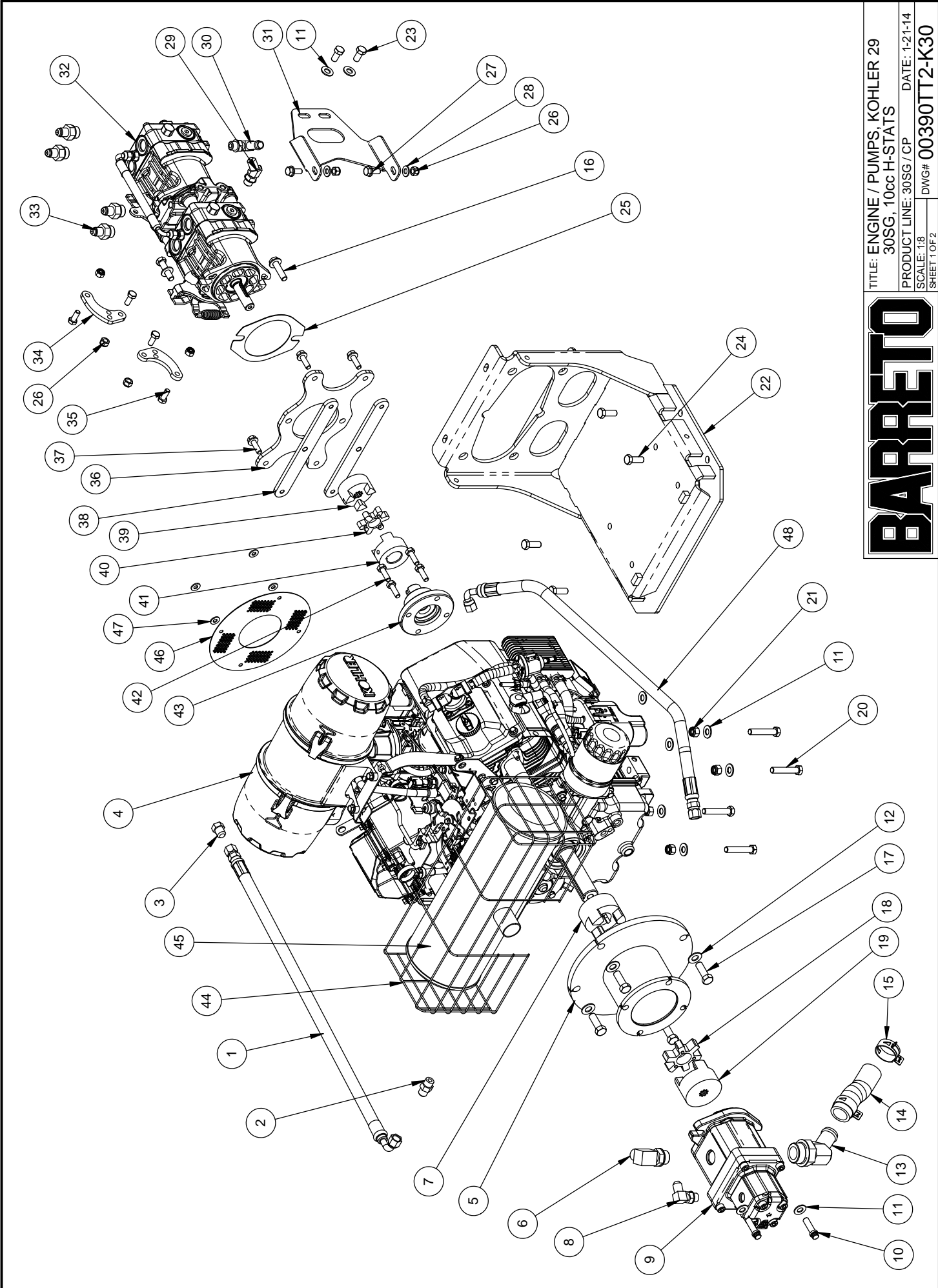


# BARRETO

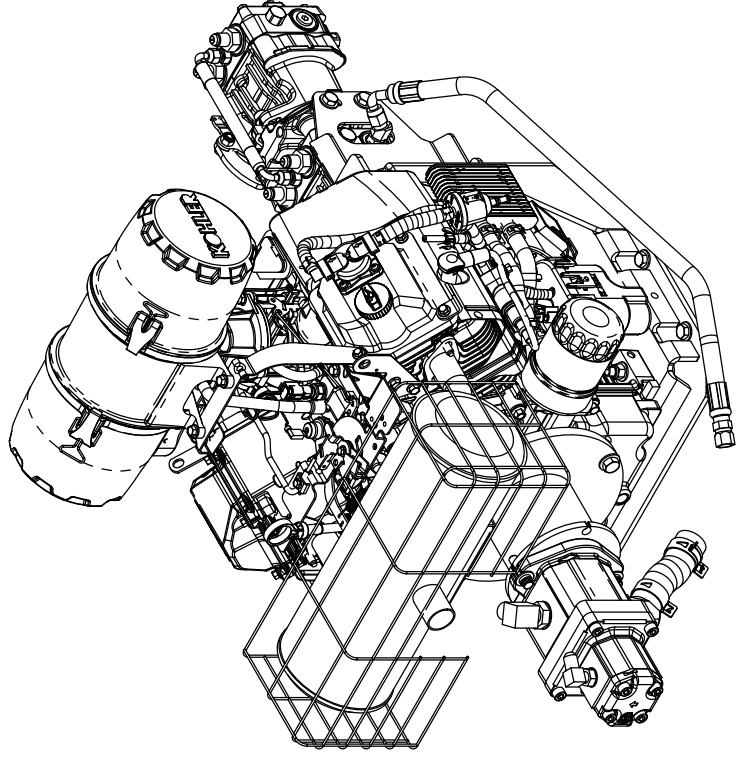
TITLE: ENGINE / PUMPS ASSEM, BS 30  
 PRODUCT LINE: 30SG - CP      DATE: 10-23-13  
 SCALE: 1:32      DWG#: 00390TT2-BS30  
 SHEET 2 OF 2

TITLE: ENGINE / PUMPS, KOHLER 29  
 30SG, 10cc H-STATS  
 PRODUCT LINE: 30SG / CP  
 SCALE: 1:8  
 SHEET 1 OF 2  
 DWG#: 00390TT2-K30  
 DATE: 1-21-14

**BARRETO**



ITEM NO.	QTY.	PART NO.	DESCRIPTION
1	1	12320	ENGINE DRAIN HOSE
2	1	04215	FITTING, 9067-6-14 METRIC
3	1	04539	FITTING, 2408-6
4	1	07024EFI	ENGINE, KOHLER 29 EFI
5	1	12453	PUMP MOUNT
6	1	04211	FITTING, 6801-8-10
7	1	12454	JAW COUPLER, 1.125, L-099
8	1	04538	FITTING, 6801-6-6
9	1	04021-P	TANDEM PUMP, PNT-14+1.2, PARKER
10	2	05152	FLANGE SCREW 12 PT, 3/8-NC
11	14	05101	WASHER, 3/8 SAE ZINC
12	4	05149	WASHER, 7/16 SAE ZINC
13	1	12484	FITTING, 4603-16-16
14	1	12715	SUMP HOSE, 1" X 4.3"
15	2	05225	CLAMP, 1-1/2" HOSE, CTB-36 ST
16	2	05092	HH CAP SCREW, 3/8-16 NC X 1-1/2 G5 ZINC
17	4	05174	HH CAP SCREW, 7/16-14 NC X 1-1/4 G5 ZINC
18	1	12456	SPIDER, HYTREL, L-099
19	1	12455	JAW COUPLER, 9T SAE A, L-099
20	4	05262	HH CAP SCREW, 3/8-16 NC X 2 G5 ZINC
21	4	05073	NUT, NYLOCK, 3/8-16 NC ZINC
22	1	12459KT	ENGINE MOUNT, KOHLER
23	2	05057	HH CAP SCREW, 3/8-16 NC X 3/4 G5 ZINC
24	4	05059	HH CAP SCREW, 3/8-16 NC X 1 G5 ZINC
25	1	12470-S2	PUMP SHIM, 10CC
26	6	05273	NUT, NYLOCK, 5/16-18 NC ZINC
27	2	05131	HH FLANGE SCREW, 5/16-18 NC X 3/4 G8 ZINC
28	2	05068	WASHER, 5/16 SAE ZINC
29	1	11074	FITTING, 6802-6-6
30	1	11070	FITTING, 4601-8-6
31	1	12376T	PUMP SUPPORT
32	1	12730	HYDRO PUMP, 10CC TANDEM
33	4	04226	FITTING, 6400-6-8
34	2	12447T	EXTEND ARM
35	4	05247	HH CAP SCREW, 5/16-18 NC X 3/4 G5 ZINC
36	1	12469T	PILOT PLATE
37	4	05567	HH FLANGE SCREW, 5/16-18 NC X 1" G8 ZINC
38	2	12729	TAPPED BAR
39	1	12779	JAW COUPLER, DRIVE PUMP, L090, 9T
40	1	03022	SPIDER, RUBBER
41	1	03023	JAW COUPLER, 1" BORE L095
42	4	12380	HH CAP SCREW, M8-1.25 X 25MM ZINC
43	1	12285-KL	FRONT ENGINE SHAFT, 10cc
44	1	07017-2	MUFFLER CAGE
45	1	07017-1	MUFFLER & MOUNT PARTS
46	1	12474	FAN SCREEN
47	4	05081	WASHER, 1/4 SAE ZINC
48	1	12339	HOSE, HYDROSTAT DRAIN



# BARRETO

TITLE: ENGINE / PUMPS ASSEM,  
KOHLER 30

PRODUCT LINE: 30SG / CP

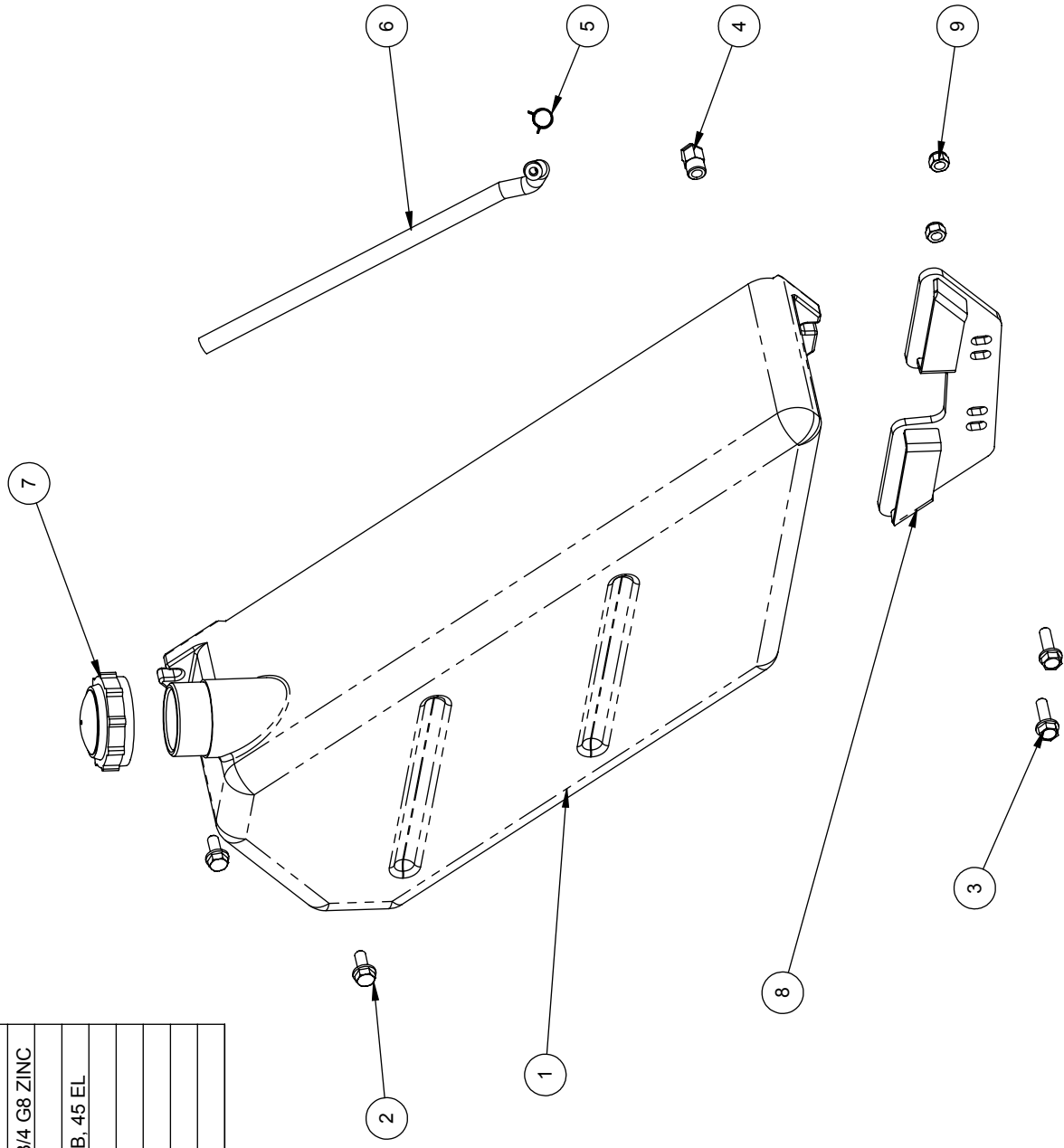
SCALE: 1:32

SHEET 2 OF 2

DATE: 10-23-13

DWG# 00390TT2-K30

ITEM NO.	QTY.	PART NO.	DESCRIPTION
1	1	03263N	FUEL TANK, "BARRETO"
2	2	05131	HH FLANGE SCREW, 5/16-18 NC X 3/4 G8 ZINC
3	2	05144	WHIZ-LOCK, 5/16-18 NC X 1 ZINC
4	1	03062-17	FITTING, 1/4 NPT-M TO 1/4 HOSE BIB, 45 EL
5	1	03062-06	CLAMP, 1/4" FUEL LINE
6	1	11563	FUEL HOSE
7	1	03062-12	FUEL TANK CAP, KELCH
8	1	11552F	TANK POCKET
9	2	05273	NUT, NYLOCK, 5/16-18 NC ZINC



# BARRETO

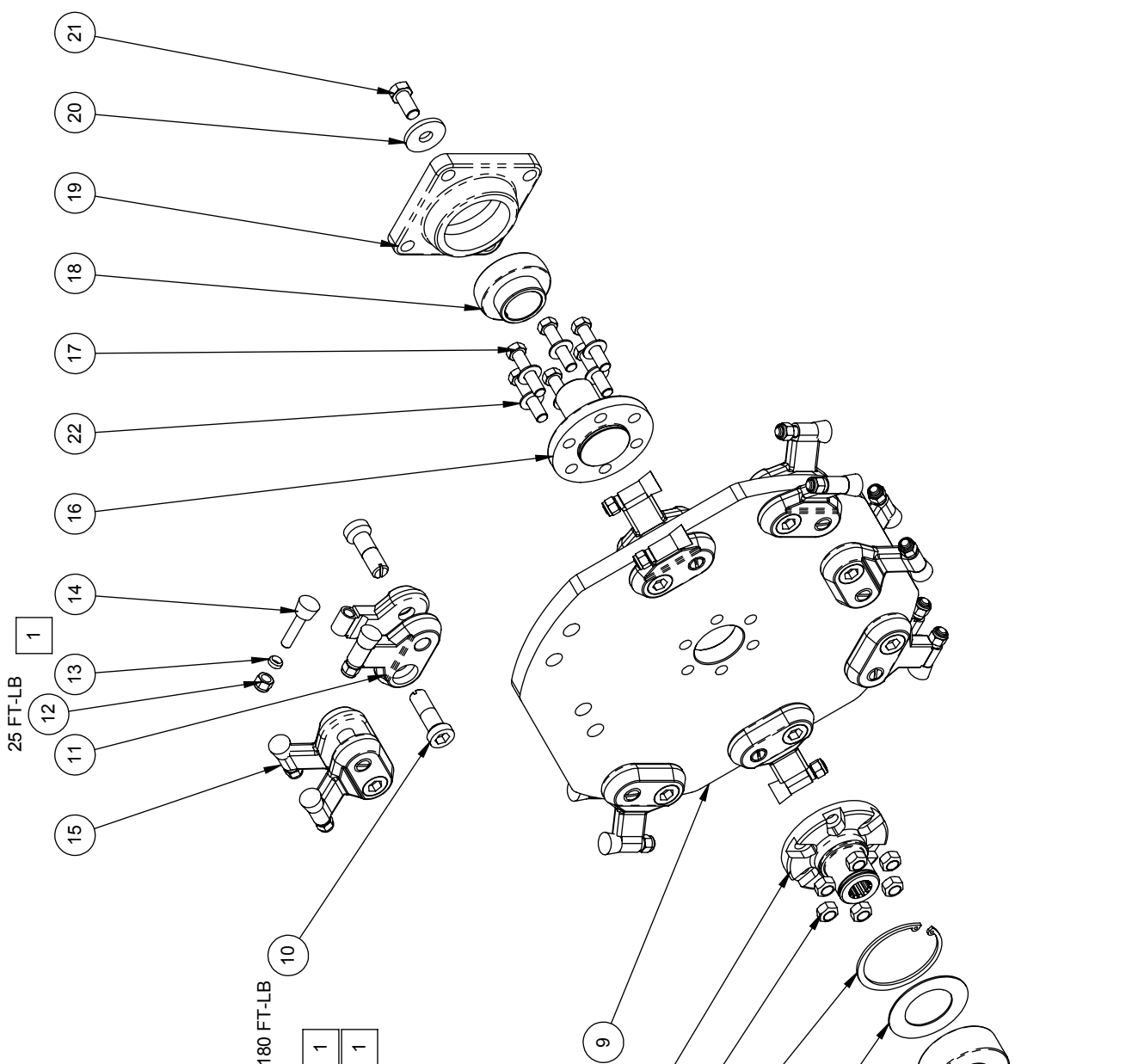
TITLE: FUEL TANK ASSEMBLY  
 PRODUCT LINE: 30SG DATE: 9-9-13  
 SCALE: 1:5 DWG# 00456-SG  
 SHEET 1 OF 1



ITEM NO.	QTY.	PART NO.	DESCRIPTION
1	1	12264	BEARING HOUSING
2	1	05044	GREASE ZERK, 1/4-28 UNF
3	1	05607	SNAP RING, SHR-156, 1-9/16" EXT, HEAVY
4	1	12382	BEARING, DOUBLE 5208 E-RS
5	1	12266	BEARING SHIELD
6	1	05603	SNAP RING, HO-315, 3-5/32 INTERNAL
7	6	05355	NUT, GRIPCO, 7/16-20 NF G5 ZINC
8	1	12278	DRIVE STUB, SPLINED, 13T
9	1	12279	CUTTER WHEEL
10	16	12283	CUTTER BOLT, 2-1/4", LP-214
11	4	12281	STRAIGHT HOLDER, 700 LOPRO
12	16	05073	NUT, NYLOCK, 3/8-16 NC ZINC
13	15	12280E	TOOTH SPACER, 700 LOPRO
14	16	12280D	CUT TOOTH, 700 LOPRO GREEN
15	12	12282	ANGLED HOLDER, OUT, 700 LOPRO
16	1	12265	AXLE STUB
17	6	05354	HH CAP SCREW, 7/16-20 NF X 1-3/4 G5 ZINC
18	1	12383	BEARING INSERT YAR 207-107
19	1	12383	BEARING FLANGE FY 1.44 TM
20	1	11027	SHAFT WASHER
21	1	05067	HH CAP SCREW, 1/2-13 NC X 1 G5 ZINC
22	6	05149	WASHER, 7/16 SAE ZINC

1 ITEMS 12, 13, 14 INCLUDED IN TOOTH REPLACEMENT KIT PART NO. 12280

2 ITEMS 18, 19, PART NO. 12383 COMES WITH BEARING INSERT AND FLANGE



# BARRETO

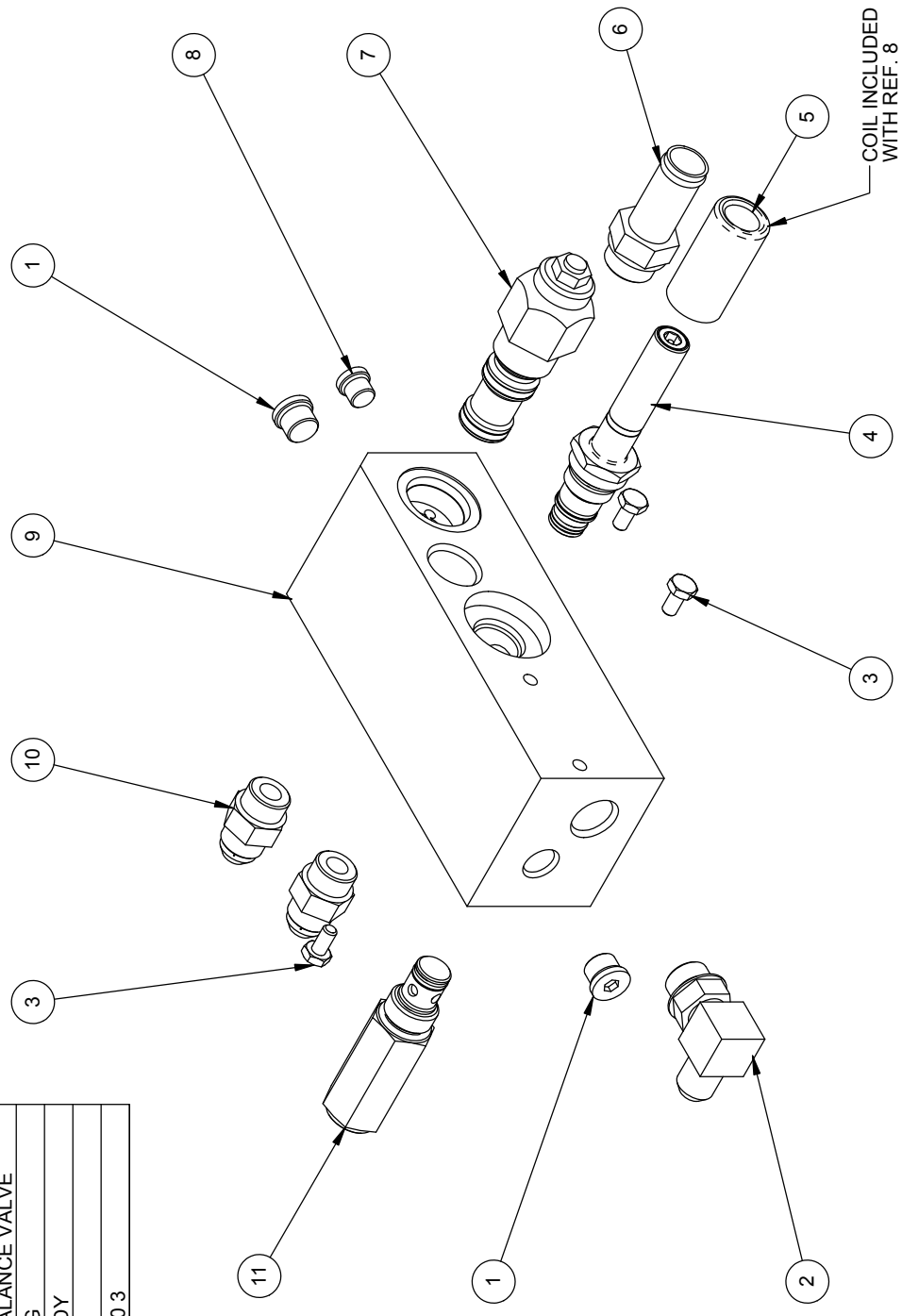
TITLE: CUT WHEEL ASSY

PRODUCT LINE: STUMP GRINDER DATE: 7/12

SCALE: 1:6  
SHEET 1 OF 1

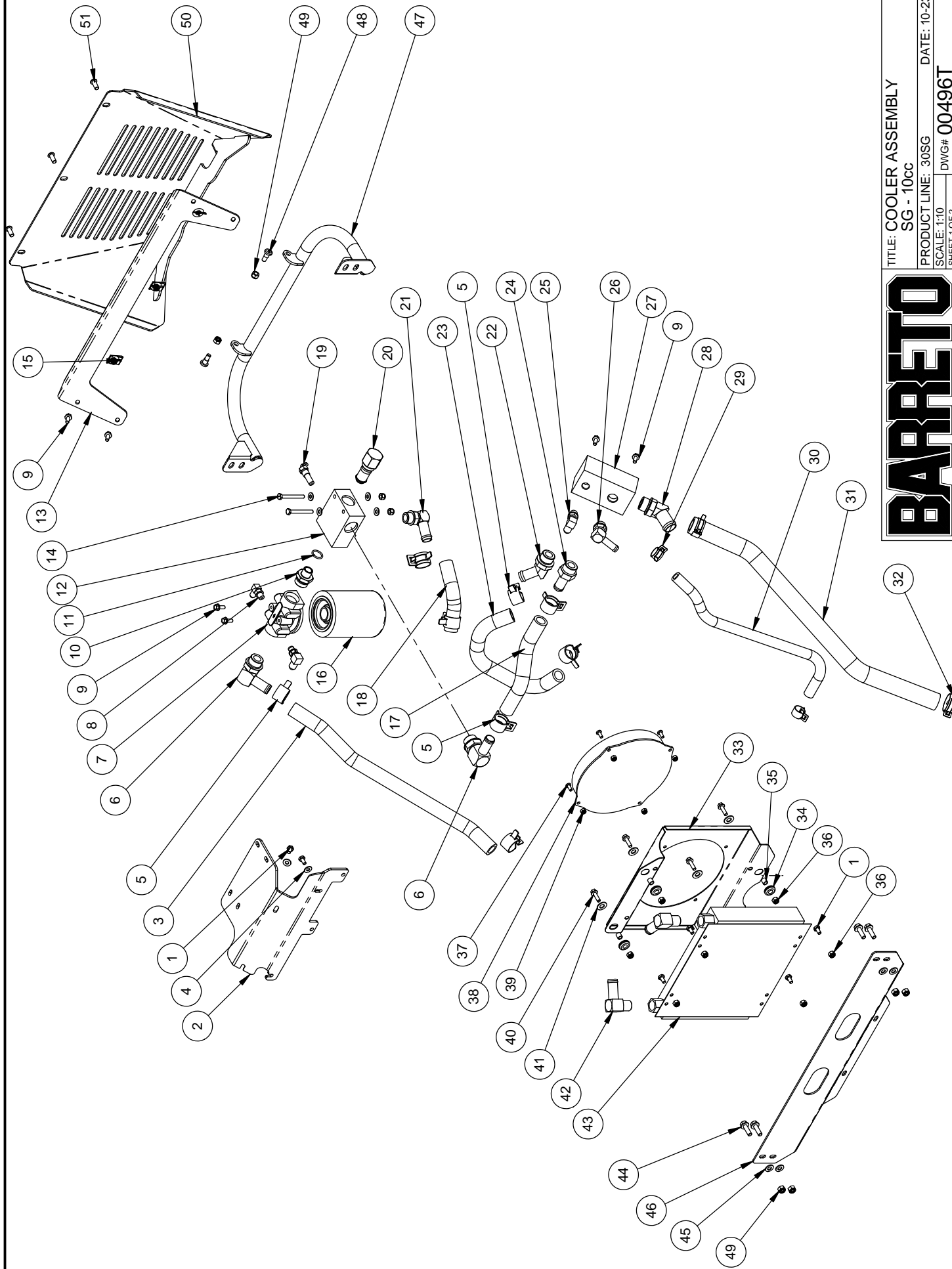
DWG# 00492

ITEM NO.	QTY.	PART NO.	DESCRIPTION
1	2	03302	FITTING, 6409-6 PLUG
2	1	04554	FITTING, 6801-8-8
3	3	05557	HH CAP SCREW, 1/4-20 NC X 1/2 G5 ZINC
4	1	04028	SOLENOID VALVE, SVP10-NOR
5	1	04028-COIL	SOLENOID COIL
6	1	12781	FITTING, 4604-12-10
7	1	04023	CP441-1 COUNTERBALANCE VALVE
8	1	03300	FITTING, 6409-4 PLUG
9	1	12313	GRINDER VALVE BODY
10	2	04520	FITTING, 6400-8-8
11	1	04024	RELIEF VALVE, CP200 3



# BARRETO

TITLE: CUTTER VALVE  
 FOR SG - SIDE VALVE / C. PIVOT  
 PRODUCT LINE: 30SG / CP    DATE: 10/13  
 SCALE: 1:3  
 SHEET 1 OF 1    DWG# 00495-CP



TITLE: COOLER ASSEMBLY  
 SG - 10cc

PRODUCT LINE: 30SG

DATE: 10-23-13

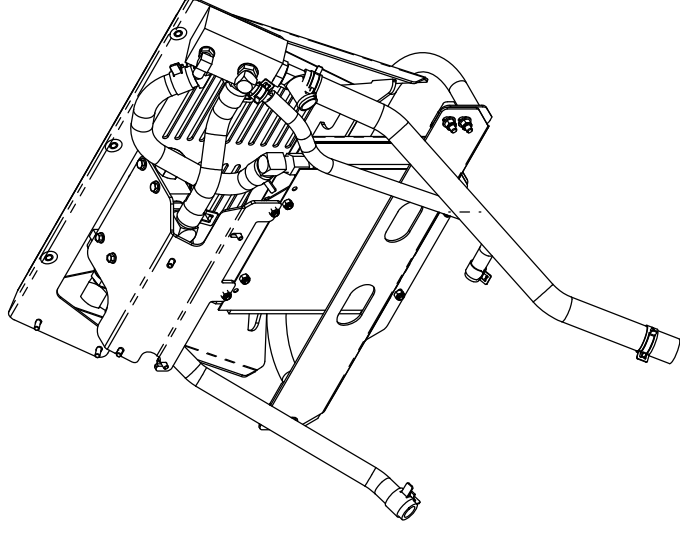
SCALE: 1:10

DWG# 00496T

SHEET 1 OF 2

# BARRETO

ITEM NO.	QTY.	PART NO.	DESCRIPTION	ITEM NO.	QTY.	PART NO.	DESCRIPTION
1	8	05557	HH CAP SCREW, 1/4-20 NC X 1/2 G5 ZINC	48	2	05111	BH SHOULDER SCREW, 3/8 X 3/8
2	1	12316	COOLER / FILTER MOUNT	49	6	05273	NUT, NYLOCK, 5/16-18 NC ZINC
3	1	12727	HOSE, GRINDER VALVE / FILTER 3/4	50	1	12462	BACK COVER
4	8	05081	WASHER, 1/4 SAE ZINC	51	3	05510	BUTTON HD SOCKET CAP SCR, 5/16-18 X 3/4
5	8	05008	CLAMP, 1" HOSE, CTB-29	52	1	04526-01	FITTING, 6801-6-4
6	2	04202	FITTING, 4601-12-12				
7	1	04212-OR-	FILTER HEAD, #12 O-RING, TAP LEFT				
8	2	04555	FITTING, 6801-4-4				
9	6	05069	WHIZ LOCK, 1/4-20 NC X 5/8 ZINC				
10	1	11546	THERMO ADAPTER				
11	1	03225	O-RING, 2-116N70, 15-16 OD X 3/32 SECTION				
12	1	11545	THERMOSTAT VALVE BODY				
13	1	12463	TOP MOUNT				
14	2	05560	HH CAP SCREW, 1/4-20 NC X 2-1/4 G5 ZINC				
15	3	05359	CLIP NUT, 5/16-18				
16	1	03952	FILTER, HYDRAULIC OIL, WITH BY-PASS				
17	1	12335	HOSE, THERMO / JUNCTION, 3/4				
18	1	12334	HOSE, FILTER / COOLER, 3/4				
19	1	12464	TEMP SWITCH, ACT B4130FD607-P100				
20	1	11544	THERMOSTAT VALVE, CT 1731				
21	1	04523	FITTING, 4601-12-10				
22	1	10362	FITTING, 4603-12-12				
23	1	12336	HOSE, COOLER / JUNCTION, 3/4				
24	1	04219	FITTING, 4604-12-12				
25	1	04538	FITTING, 6801-6-6				
26	1	04572	FITTING, 4601-8-8				
27	1	12337	RETURN JUNCTION				
28	1	10456	FITTING, 4603-16-12				
29	2	12131	CLAMP, 1/2" HOSE, CTB-22				
30	1	12370	PUMP FEED, LEFT				
31	1	12356	RETURN HOSE, 1"				
32	2	05225	CLAMP, 1-1/2" HOSE, CTB-36 ST				
33	1	12460	FAN SHROUD				
34	4	05193	RUBBER GROMMET, .62 X .38				
35	4	11741	SPACER				
36	10	05096	NUT, NYLOCK, 1/4-20 NC ZINC				
37	4	05191	SCREW #12-24 X 1/2 PPH				
38	1	104033	FAN, 7.5" PULLER				
39	4	05190	NUT, NYLOCK, 12-24 NC ZINC				
40	4	05535	WHIZ LOCK, 1/4-20 NC X 7/8 ZINC				
41	4	05101	WASHER, 3/8 SAE ZINC				
42	2	04227	FITTING, 4501-12-8				
43	1	11533	OIL COOLER, B&M 70266				
44	4	05567	HH FLANGE SCREW, 5/16-18 NC X 1" G8 ZINC				
45	4	05068	WASHER, 5/16 SAE ZINC				
46	1	12315	COOLER BRACKET				
47	1	12461	COVER MOUNT				



# BARRETO

TITLE: COOLER ASSEMBLY  
SG - 10cc

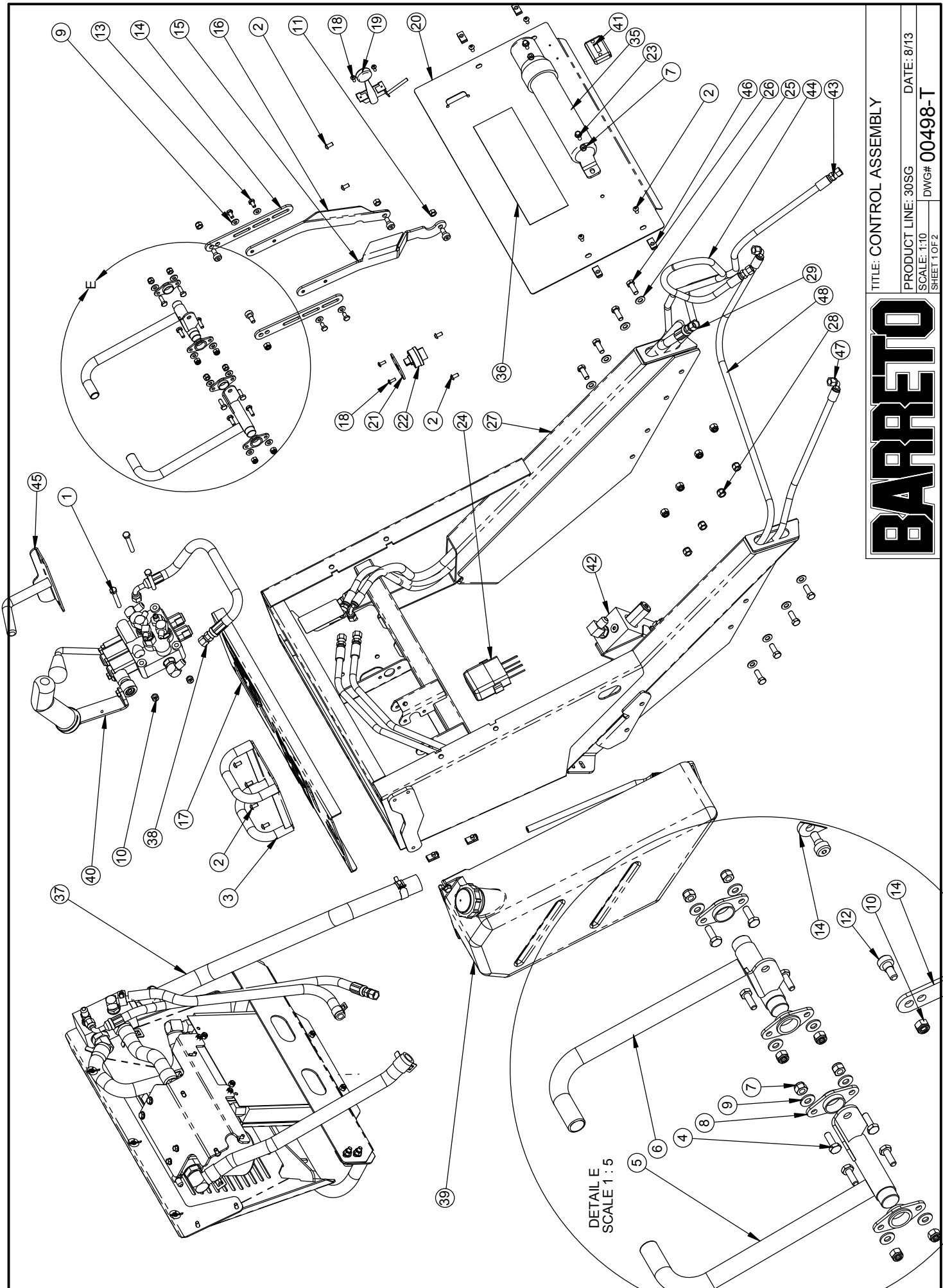
PRODUCT LINE: 30SG

SCALE: 1:48

SHEET 2 OF 2

DATE: 10-23-13

DWG#: 00496T



TITLE: CONTROL ASSEMBLY

PRODUCT LINE: 30SG

DATE: 8/13

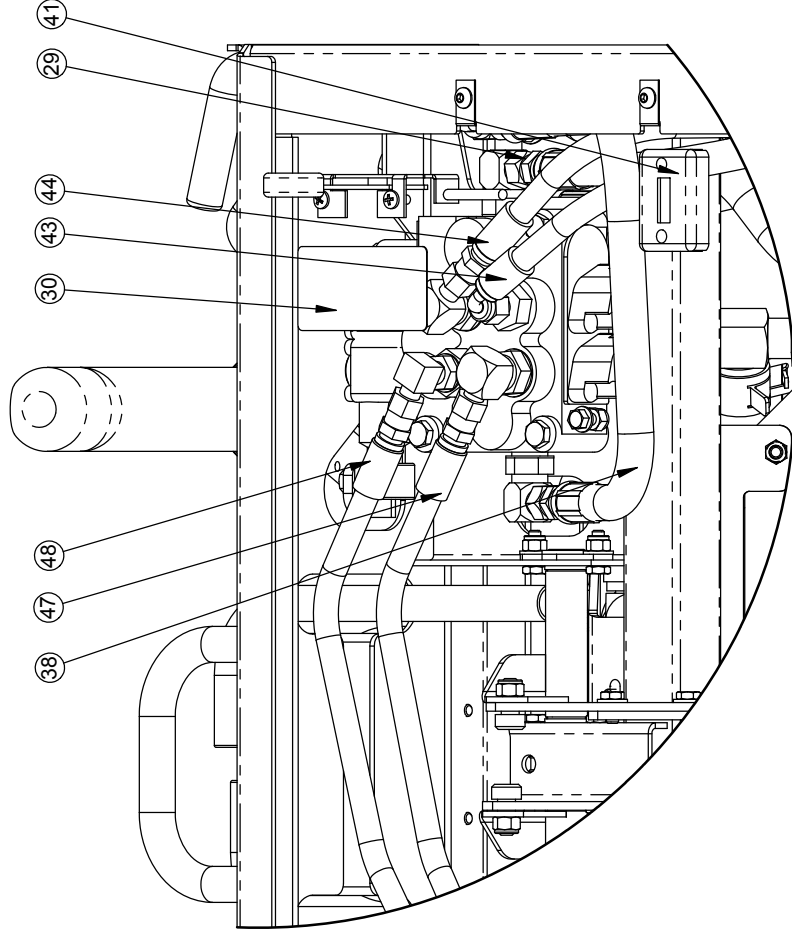
SCALE: 1:10

SHEET 1 OF 2

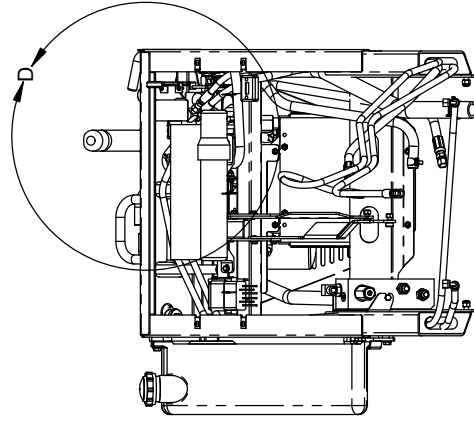
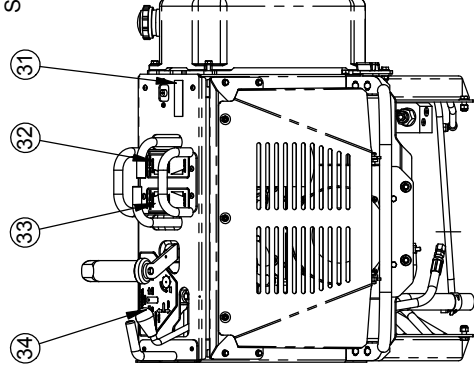
DWG# 00498-T

**BARRETO**

ITEM NO.	QTY.	PART NO.	DESCRIPTION
1	3	05175	HH CAP SCREW, 5/16-18 NC X 2-1/4 G5 ZINC
2	12	05507	BUTTON HD SOCKET CAP SCR, 1/4-20 X 1/2
3	1	12351	HAND REST
4	8	05554	HH CAP SCREW, 1/4-20 NC X 3/4 G5 ZINC
5	1	12312T	SPEED LEVER, RIGHT
6	1	12311	SPEED LEVER, LEFT
7	10	05096	NUT, NYLOCK, 1/4-20 NC ZINC
8	4	12381	IGUS FLANGE JFL-20
9	12	05081	WASHER, 1/4 SAE ZINC
10	5	05273	NUT, NYLOCK, 5/16-18 NC ZINC
11	2	05002	NUT, GRIPCO, 5/16-18 NC G5 ZINC
12	4	05351	SH SHOULDER SCREW, 3/8 X 1/4
13	4	05557	HH CAP SCREW, 1/4-20 NC X 1/2 G5 ZINC
14	2	12330	SPEED LINK, TOP
15	1	12457T	SPEED LINK, LOWER RT
16	1	12331	SPEED LINK, LOWER
17	1	12332T	CONTROL PANEL
18	4	05233	SCREW #10-24 X 1/2 PPH
19	1	03515	THROTTLE CABLE
20	1	12314-T	FRONT COVER
21	1	11627K	IGNITION SWITCH PLATE
22	1	IGN-SW-KOHLER	IGNITION SWITCH, KOHLER
23	2	05069	WHIZ LOCK, 1/4-20 NC X 5/8 ZINC
24	1	12492-AS	FUSE / RELAY HOLDER ASSEM
25	8	05101	WASHER, 3/8 SAE ZINC
26	8	05059	HH CAP SCREW, 3/8-16 NC X 1 G5 ZINC
27	1	12288T	CONTROL TOWER
28	8	05073	NUT, NYLOCK, 3/8-16 NC ZINC
29	1	12371T	HOSE, PUMP / CYLINDER VALVE
30	1	04440-05	DECAL, ENGINE THROTTLE
31	1	03341-07	DECAL, "IGNITION OFF/ON"
32	1	04451-02	DECAL, RIGHT TRACK
33	1	04451-01	DECAL, LEFT TRACK
34	1	04451-CP-03	DECAL, CUTTER CONTROL
35	1	12090	INSTRUCTION CANISTER
36	1	03040-02	DECAL, "BARRETO", 3-1/2 X 11-1/4
37	1	00496T	COOLER ASSEMBLY
38	1	12340T	HOSE, CYLINDER VALVE - RETURN JCT
39	1	00456-SG	FUEL TANK ASSEMBLY
40	1	00497	CYLINDER VALVE ASSEM
41	1	03009	HOUR METER - COMPLETE KIT
42	1	00495-CP	CUTTER VALVE
43	1	12725	HOSE, LEFT B / LIFT ROD
44	1	12726	HOSE, LEFT A / LIFT PISTON
45	1	12775	LEFT HAND REST
46	6	05365	CLIP NUT, 1/4-20
47	1	12724	HOSE, RT B / RT SWING TEE
48	1	12723	HOSE, RT. A / LEFT SWING TEE



DETAIL D  
SCALE 1 : 4



# BARRETO

TITLE: CONTROL ASSEMBLY  
2 LEVER CONTROL

PRODUCT LINE: 30SG

SCALE: 1:16

SHEET 2 OF 2

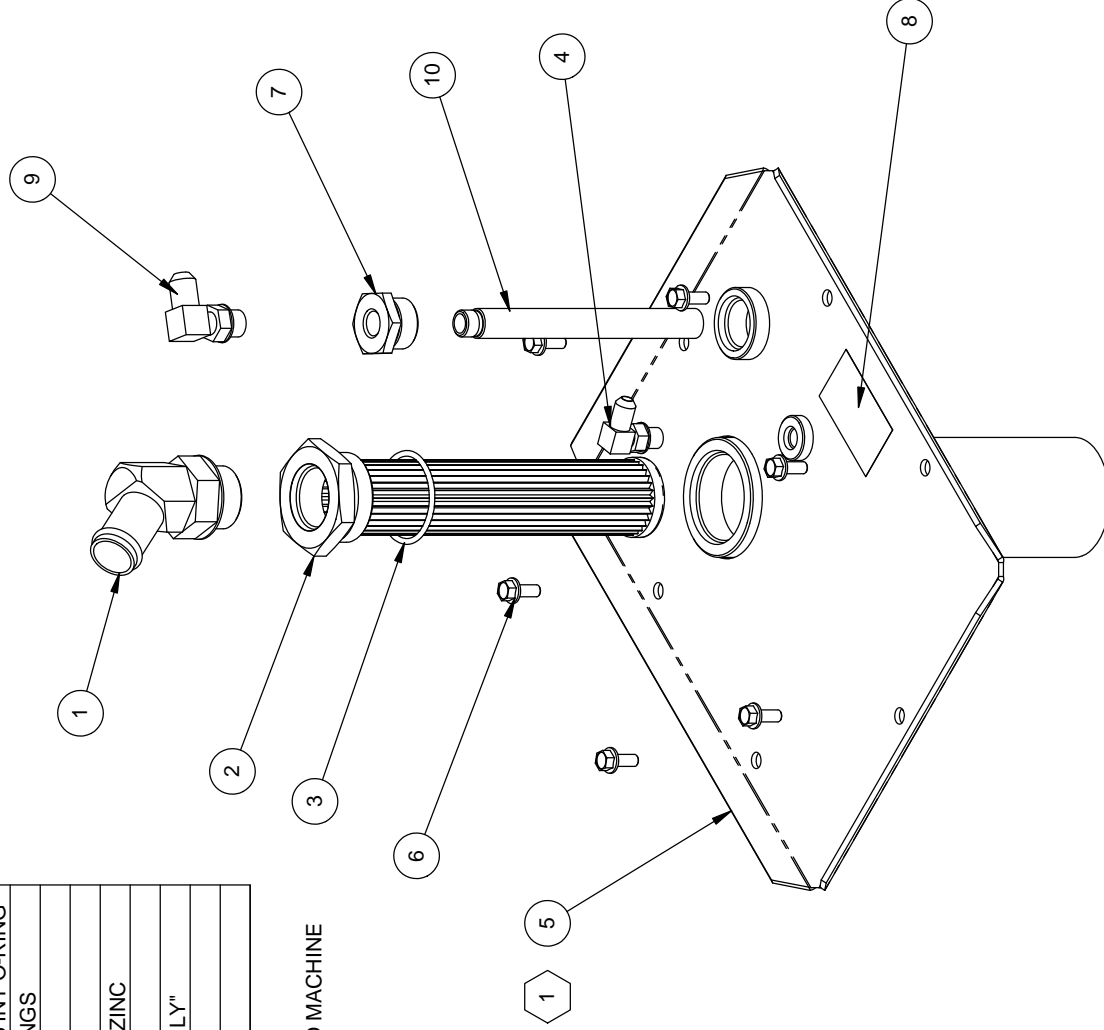
DATE: 8-13

DWG# 00498-T



ITEM NO.	QTY.	PART NO.	DESCRIPTION
1	1	12484	FITTING, 4603-16-16
2	1	10636	SUMP SCREEN, #24 EXT #16 INT O-RING
3	1	03292	O-RING, 3-924N90, -24 FITTINGS
4	1	04555	FITTING, 6801-4-4
5	1	12720	LID, STUMP GRINDER
6	6	05069	WHIZ LOCK, 1/4-20 NC X 5/8 ZINC
7	1	12862-M	PORTED PLUG -12
8	1	03040-06	DECAL, "HYDRAULIC OIL ONLY"
9	1	04538	FITTING, 6801-6-6
10	1	12864	RETURN TUBE

1 USE LID 12720K FOR KOHLER POWERED MACHINE



TITLE: LID ASSEMBLY  
SG - 10cc / CP

PRODUCT LINE: 30SG

DATE: 10/13

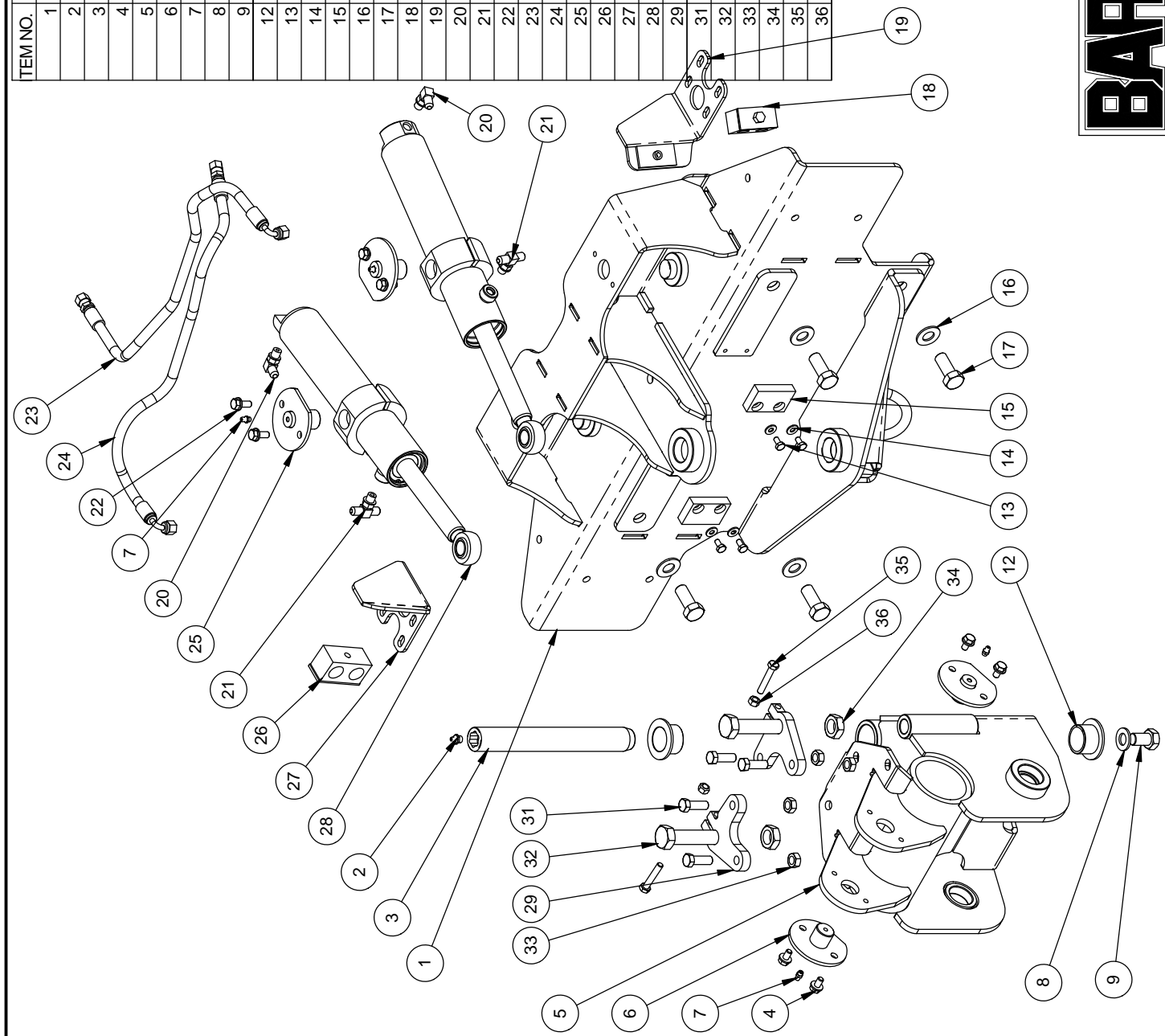
SCALE: 1:4

DWG# 00499CP

SHEET 1 OF 1

# BARRETO

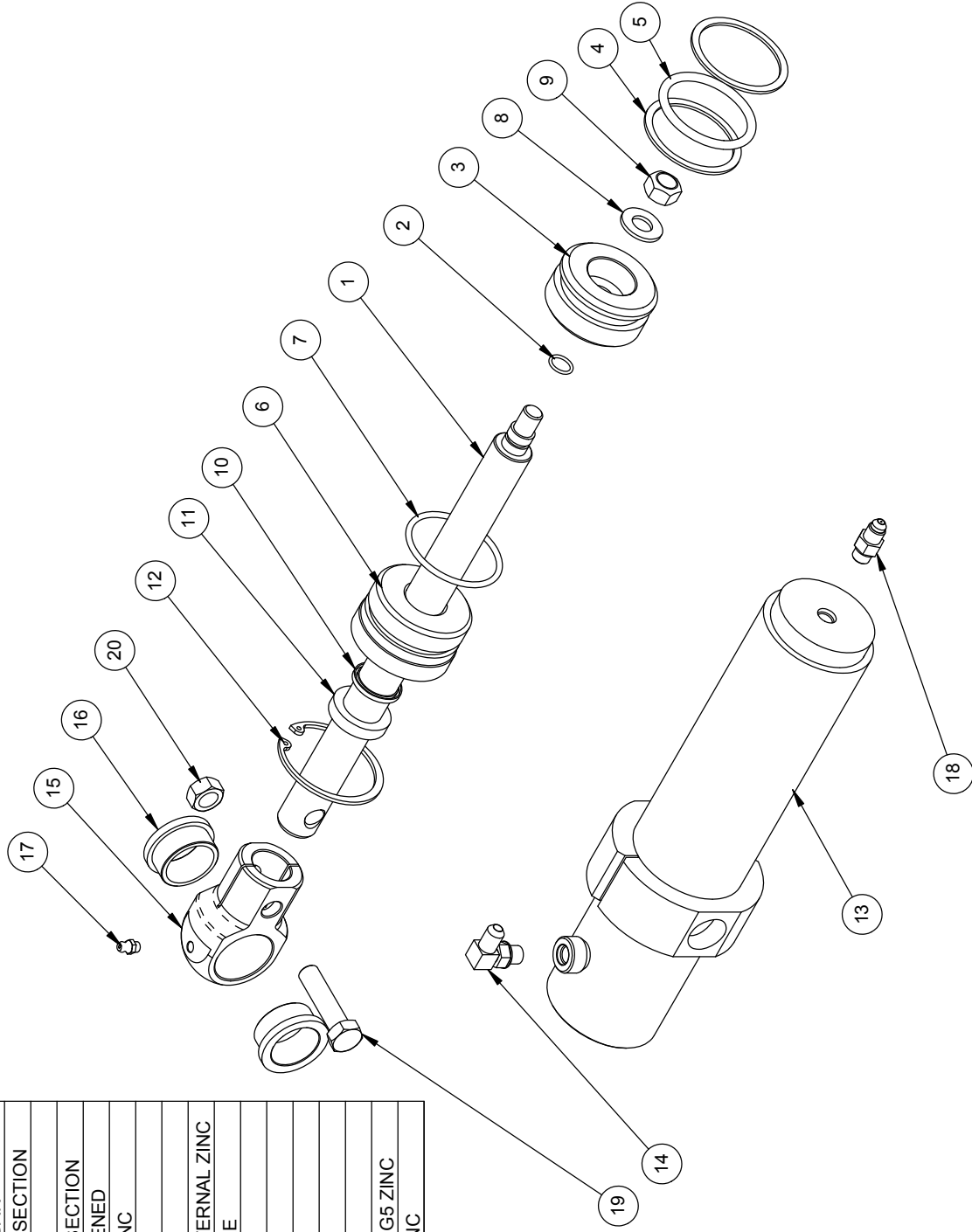
ITEM NO.	QTY.	PART NO.	DESCRIPTION
1	1	12705	MOUNT BASE, CP
2	1	05256	GREASE ZERK, 1/8 NPT
3	1	12711	SWING PIN
4	4	05520	HH FLANGE SCREW, 5/16-18 NC X 1/2 G8 ZINC
5	1	12706	PIVOT HEAD, CP
6	2	10281	CYLINDER PIN
7	4	05044	GREASE ZERK, 1/4-28 UNF
8	1	05100-B	WASHER, M 16 X 30
9	1	05178	HH CAP SCREW, 5/8-18 NF X 1 G5 ZINC
12	2	12712	BUSHING, COMPOSITE, 1.265 X 1.514 X 1.0, FLANGE
13	4	05557	HH CAP SCREW, 1/4-20 NC X 1/2 G5 ZINC
14	4	05081	WASHER, 1/4 SAE ZINC
15	2	12714	SWING STOP
16	4	05272	WASHER, 5/8 SAE ZINC HARDENED
17	4	05348	HH CAP SCREW, 5/8-11 NC X 1-1/4 G5 ZINC
18	1	12359	TUBE CLAMP, 5/8"
19	1	12728L	HOSE MOUNT, LEFT
20	2	04555	FITTING, 6801-4-4
21	2	04223	FITTING, 6803-4-4-4
22	4	05131	HH FLANGE SCREW, 5/16-18 NC X 3/4 G8 ZINC
23	1	12722L	HOSE, SWING CROSSOVER, L, FRONT
24	1	12722R	HOSE, SWING CROSSOVER, R, FRONT
25	2	12262	TRUNION PIN
26	1	11656	TUBE CLAMP
27	1	12728R	HOSE MOUNT, RT
28	1	00538	SWING CYLINDER ASSEMBLY
29	2	12794	PIN BRACE
31	4	05063	HH CAP SCREW, 7/16-20 NF X 1-1/4 G8 ZINC
32	2	05179	HH CAP SCREW, 3/4-16 NF X 3-1/2 G8 ZINC
33	4	05355	NUT, GRIPCO, 7/16-20 NF G5 ZINC
34	2	05115	NUT, JAM, 3/4-16 NF ZINC
35	2	05245	HH CAP SCREW, 5/16-24 NF X 1-3/4 G5 ZINC
36	2	10462	NUT, GRIPCO, 5/16-24 NF G5 ZINC



# BARRETO

TITLE: PIVOT HEAD  
 SG - CENTER PIVOT  
 PRODUCT LINE: 30SG - CP, 35SG DATE: 10/13  
 SCALE: 1:8  
 SHEET 1 OF 1  
 DWG# 00535

ITEM NO.	QTY.	PART NO.	DESCRIPTION
1	1	02701	CYLINDER ROD
2	1	03232	O-RING, 2-014, 5/8 OD X 1/16 SECTION
3	1	02612	PISTON
4	2	03237	BACK-UP RING, 8-330N90 PARBAK
5	1	03236	O-RING, 2-330, 2-1/2 OD X 3/16 SECTION
6	1	02613	CYLINDER END
7	1	03234	O-RING, 2-228, 2-1/2 OD X 1/8 SECTION
8	1	05102	WASHER, 1/2 SAE ZINC HARDENED
9	1	05046	NUT, GRIPCO, 1/2-13 NC G5 ZINC
10	1	03259	SEAL, 1x1/8x1/8 ROD
11	1	03255	WIPER, 1 X 1-1/2 X 5/16 J-1000
12	1	05211	SNAP RING, HO-256, 2-9/16 INTERNAL ZINC
13	1	10704	CYLINDER, 2.50 X 9.43" STROKE
14	1	04555	FITTING, 6801-4-4
15	1	02616	CYLINDER ROD END
16	2	10498	BUSHING, IGUS MFI-2024-12
17	1	05044	GREASE ZERK, 1/4-28 UNF
18	1	04560	FITTING, 6400-4-4
19	1	05251	HH CAP SCREW, 1/2-20 NF X 2 G5 ZINC
20	1	05076	NUT, GRIPCO, 1/2-20 NF G5 ZINC



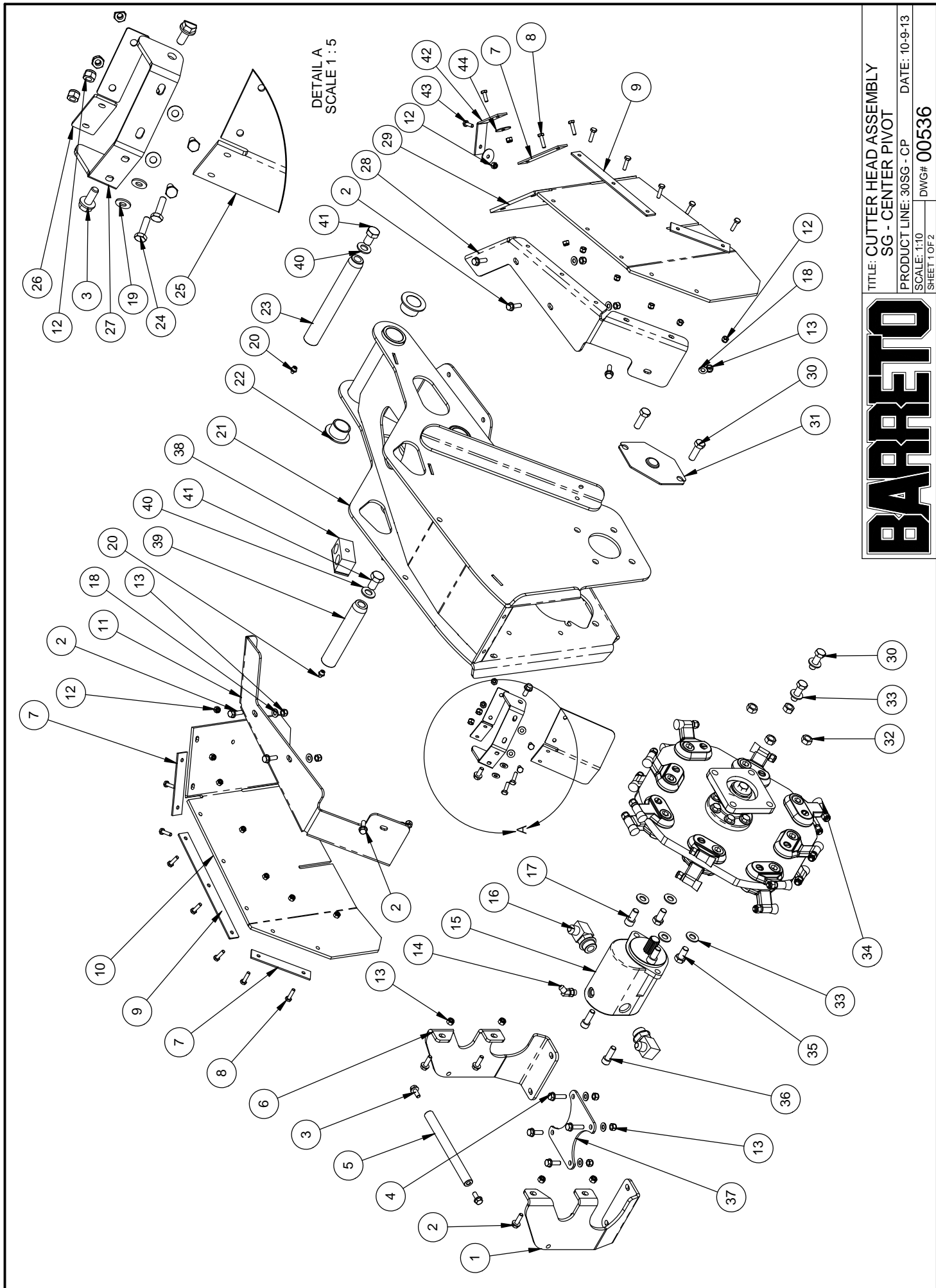
# BARRETO

TITLE: LIFT CYLINDER ASSEMBLY  
SG - CENTER PIVOT

PRODUCT LINE: 30SG - CP DATE: 10/13

SCALE: 1:4

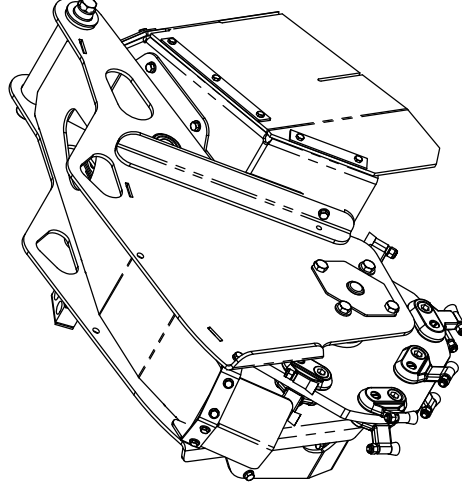
SHEET 1 OF 1 DWG# 00537



# BARRETO

TITLE: CUTTER HEAD ASSEMBLY  
 SG - CENTER PIVOT  
 PRODUCT LINE: 30SG - CP DATE: 10-9-13  
 SCALE: 1:10 SHEET: 1 OF 2 DWG#: 00536

ITEM NO.	QTY.	PART NO.	DESCRIPTION	ITEM NO.	QTY.	PART NO.	DESCRIPTION
1	1	12270CP	MOTOR GUARD	25	1	12478	FRONT FLAP
2	12	05567	HH FLANGE SCREW, 5/16-18 NC X 1" G8 ZINC	26	2	12479	FRONT FLAP KEEPER
3	4	05131	HH FLANGE SCREW, 5/16-18 NC X 3/4 G8 ZINC	27	1	12477	FRONT FLAP MOUNT
4	2	05138	HH FLANGE SCREW, 5/16-18 NC X 1-1/4 G8 ZINC	28	1	12716L	SKIRT MOUNT, LEFT
5	1	12269	GUARD BRACE	29	1	12721-L	SKIRT
6	1	12270CP-L	MOTOR GUARD, LEFT	30	4	05300-01	HH CAP SCREW, 1/2-13 NC X 1-1/2 G5 ZINC
7	4	12482	FLAP KEEPER	31	1	12267	BEARING COVER
8	14	05237	HH CAP SCREW, 1/4-20 NC X 1 G5 ZINC	32	4	05046	NUT, GRIPCO, 1/2-13 NC G5 ZINC
9	2	12276	LEFT FLAP STRAP	33	6	05102	WASHER, 1/2 SAE ZINC HARDENED
10	1	12721	SKIRT	34	1	100492	CUT WHEEL ASSY
11	1	12716R	SKIRT MOUNT, RIGHT	35	2	05067	HH CAP SCREW, 1/2-13 NC X 1 G5 ZINC
12	20	05096	NUT, NYLOCK, 1/4-20 NC ZINC	36	2	05353	SH CAP SCREW, 7/16-20 NF X 1-3/4 ZINC
13	16	05273	NUT, NYLOCK, 5/16-18 NC ZINC	37	1	12710	GUARD BRACE
14	1	104218	FITTING, 6802-4-4	38	1	11656	TUBE CLAMP
15	1	104030	GEAR MOTOR, 41cc	39	1	12709T	LIFT ROD PIN
16	2	11038	FITTING, 6801-8-12	40	2	05100-B	WASHER, M 16 X 30
17	2	05569	SH CAP SCREW, 1/2-13 NC X 1 ZINC	41	2	05178	HH CAP SCREW, 5/8-18 NF X 1 G5 ZINC
18	10	05068	WASHER, 5/16 SAE ZINC	42	1	12778	FLAP TIE
19	4	05081	WASHER, 1/4 SAE ZINC	43	2	05554	HH CAP SCREW, 1/4-20 NC X 3/4 G5 ZINC
20	2	05256	GREASE ZERK, 1/8 NPT	44	2	05542	WASHER, 1/4 FENDER PLAIN
21	1	12707	CUTTER HEAD, CENTER PIVOT				
22	2	12712	BUSHING, COMPOSITE, 1.265 X 1.514 X 1.0, FLANGE				
23	1	12771	LIFT PIVOT PIN				
24	4	05535	HH CAP SCREW, 1/4-20 NC X 7/8 G5 ZINC				



# BARRETO

TITLE: CUTTER HEAD ASSEMBLY  
SG - CENTER PIVOT

PRODUCT LINE: 30SG - CP

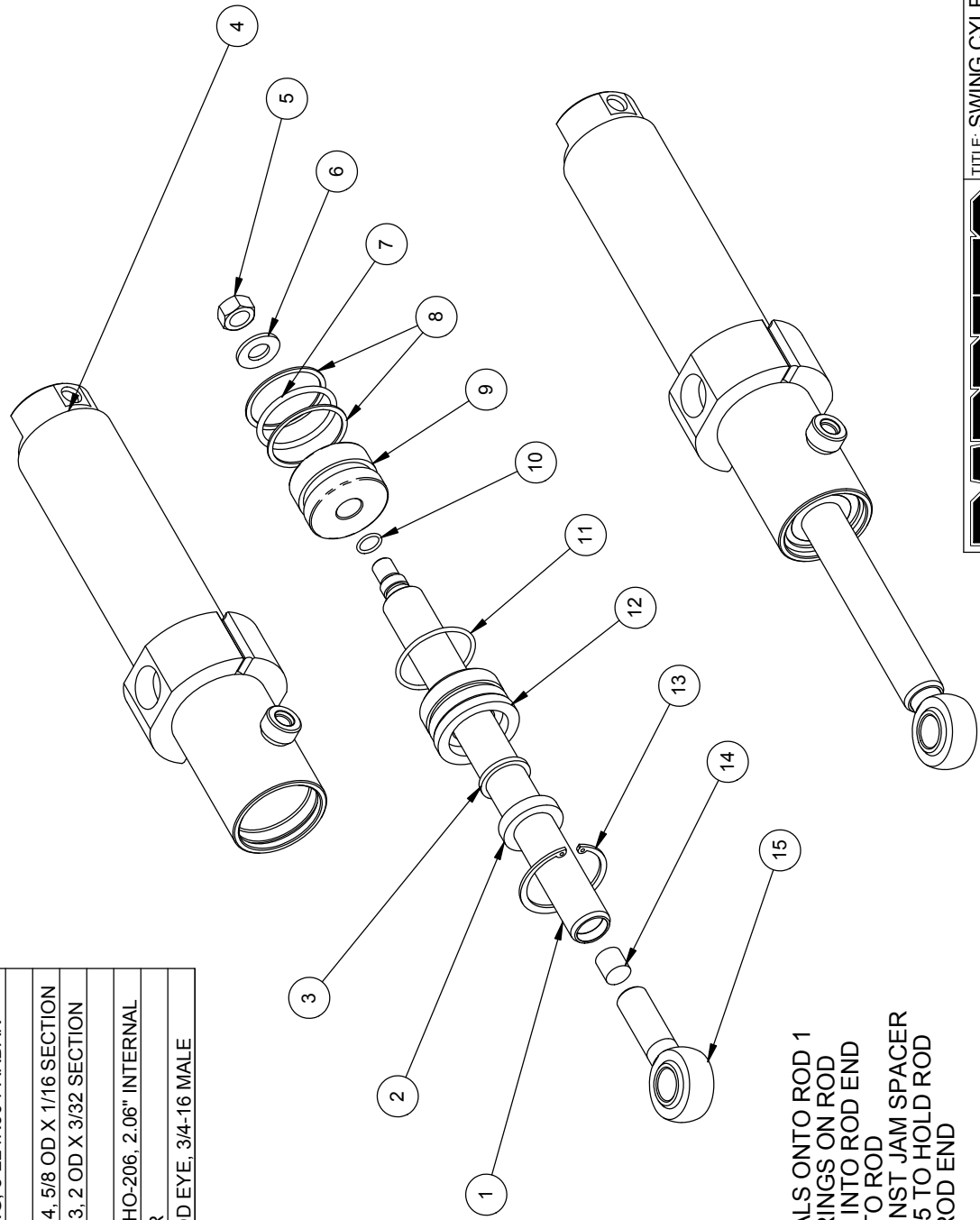
SCALE: 1:12

SHEET 2 OF 2

DATE: 10-13

DWG# 00536

ITEM NO.	QTY.	PART NO.	DESCRIPTION
1	1	12713	CYLINDER ROD
2	1	03255	WIPER, 1 X 1-1/2 X 5/16 J-1000
3	1	03259	SEAL, 1x1/8x1/8 ROD
4	1	12708	SWING CYLINDER, CP
5	1	05046	NUT, GRIPCO, 1/2-13 NC G5 ZINC
6	1	05102	WASHER, 1/2 SAE ZINC HARDENED
7	1	10492	O-RING, 2-224, 2 OD X 1/8 SECTION
8	2	10493	BACK-UP RING, 8-224N90 PARBAK
9	1	12255	PISTON, 2"
10	1	03232	O-RING, 2-014, 5/8 OD X 1/16 SECTION
11	1	10490	O-RING, 2-133, 2 OD X 3/32 SECTION
12	1	12257	END CAP
13	1	05024	SNAP RING, HO-206, 2.06" INTERNAL
14	1	12792	JAM SPACER
15	1	12791	SPHERIC ROD EYE, 3/4-16 MALE

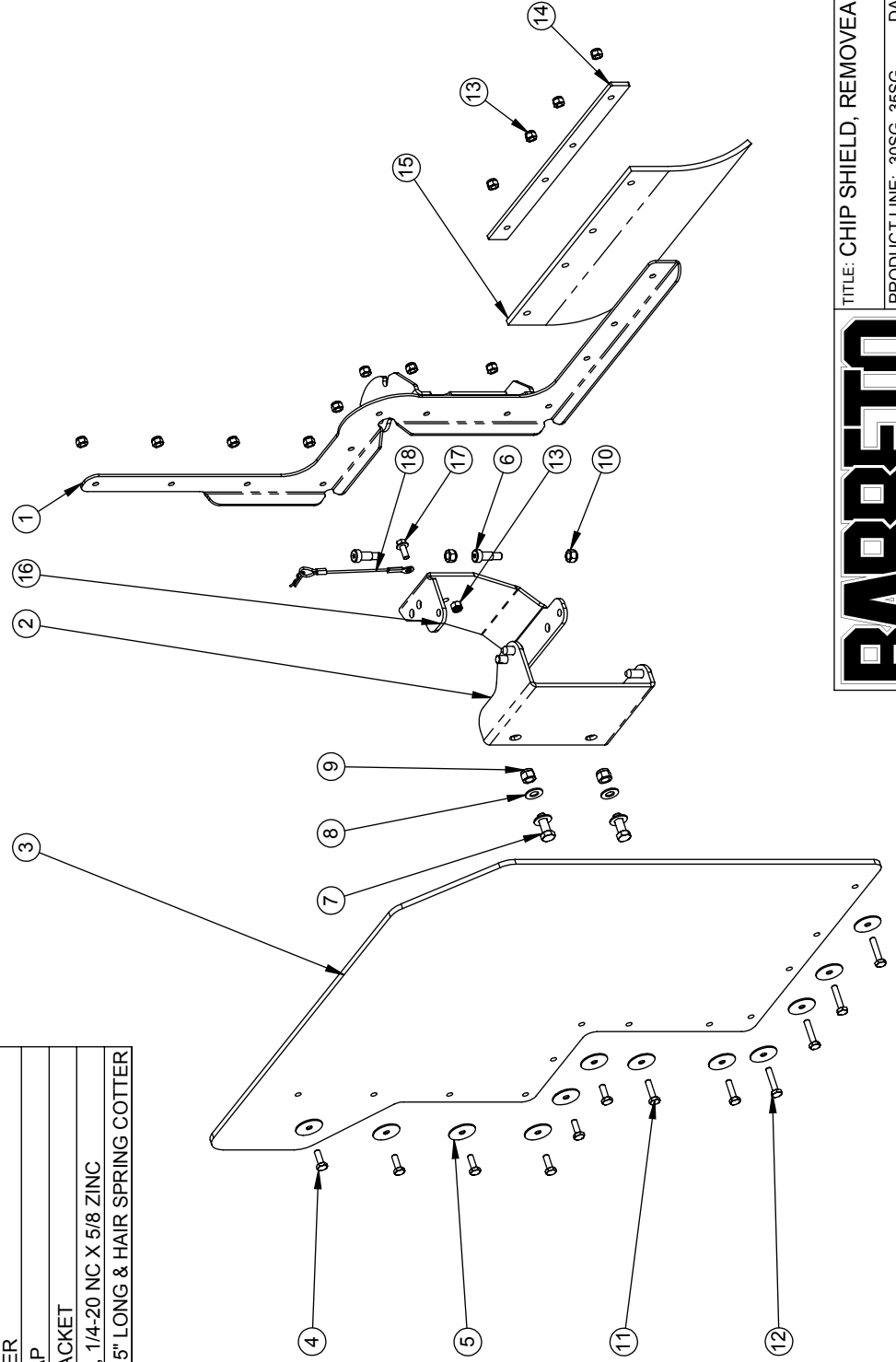


TO ASSEMBLE ROD 1:  
 SLIDE CAP 12 WITH SEALS ONTO ROD 1  
 INSTALL PISTON 9 & O-RINGS ON ROD  
 INSERT JAM SPACER 14 INTO ROD END  
 SCREW ROD EYE 15 INTO ROD  
 TIGHTEN ROD EYE AGAINST JAM SPACER  
 USE A SOCKET ON NUT 5 TO HOLD ROD  
 USE RED LOCTITE ON ROD END  
 60 - 70 FT-LB



TITLE: SWING CYLINDER ASSEMBLY  
 CENTER PIVOT SG  
 PRODUCT LINE: 30SG - CP DATE: /08  
 SCALE: 1:4 DWG# 00538  
 SHEET 1 OF 1

ITEM NO.	QTY.	PART NO.	DESCRIPTION
1	1	12785 R1	SHIELD FRAME
2	1	12788 R1	SHIELD MOUNT
3	1	12786	SHIELD
4	6	05554	HH CAP SCREW, 1/4-20 NC X 3/4 G5 ZINC
5	12	05542	WASHER, 1/4 FENDER PLAIN
6	2	05356	SH SHOULDER SCREW, 3/8 X 5/8
7	2	05059	HH CAP SCREW, 3/8-16 NC X 1 G5 ZINC
8	4	05101	WASHER, 3/8 SAE ZINC
9	2	05073	NUT, NYLOCK, 3/8-16 NC ZINC
10	2	05273	NUT, NYLOCK, 5/16-18 NC ZINC
11	2	05237	HH CAP SCREW, 1/4-20 NC X 1 G5 ZINC
12	4	05125	HH CAP SCREW, 1/4-20 NC X 1-1/4 G5 ZINC
13	13	05096	NUT, NYLOCK, 1/4-20 NC ZINC
14	1	12797	FLAP KEEPER
15	1	12796	SHIELD FLAP
16	1	12859	SHIELD BRACKET
17	1	05069	WHIZ LOCK, 1/4-20 NC X 5/8 ZINC
18	1	103351	LANYARD 5.5" LONG & HAIR SPRING COTTER



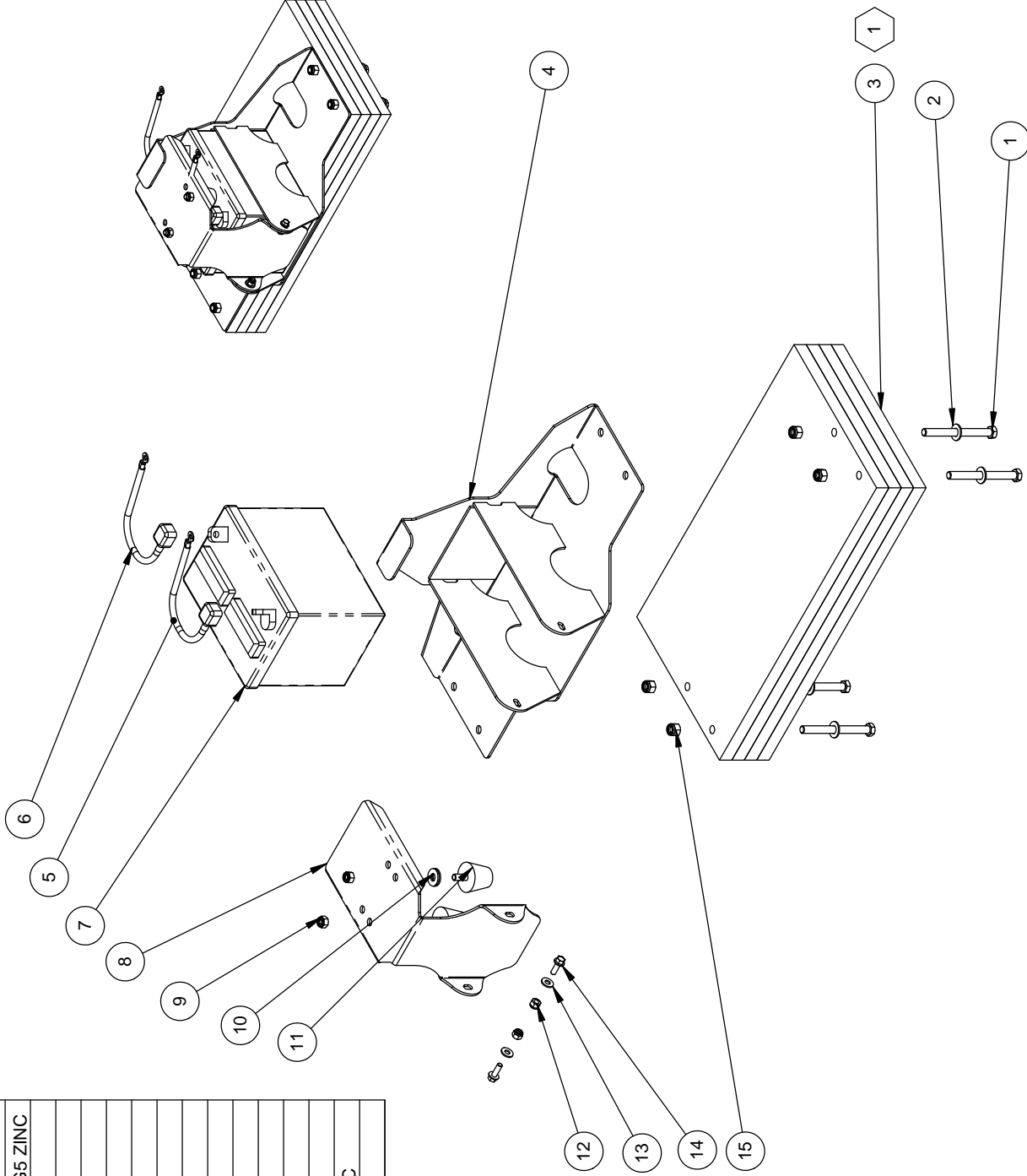
# BARRETO

TITLE: CHIP SHIELD, REMOVEABLE

PRODUCT LINE: 30SG, 35SG DATE: 07-14

SCALE: 1:8 SHEET 1 OF 1 DWG# 00541 R1

REF	QTY.	PART NO.	DESCRIPTION
1	4	10757	HH CAP SCREW, 3/8-16 NC X 4 G5 ZINC
2	4	05101	WASHER, 3/8 SAE ZINC
3	4	11634	WEIGHT, 3/4 X 10
4	1	11539	BATTERY MOUNT
5	1	11321	BATTERY CABLE, POS
6	1	11322	BATTERY CABLE, NEG
7	1	11537	BATTERY, GT-X U1 300
8	1	11542	BATTERY CAP, W/PAD
9	2	05273	NUT, NYLOCK, 5/16-18 NC ZINC
10	4	10615	WASHER, 5/16 USS ZINC
11	2	11258	RUBBER BUMPER
12	2	05096	NUT, NYLOCK, 1/4-20 NC ZINC
13	2	05081	WASHER, 1/4 SAE ZINC
14	2	05049	WHIZ LOCK, 1/4-20 NC X 3/4 ZINC
15	4	05073	NUT, NYLOCK, 3/8-16 NC ZINC

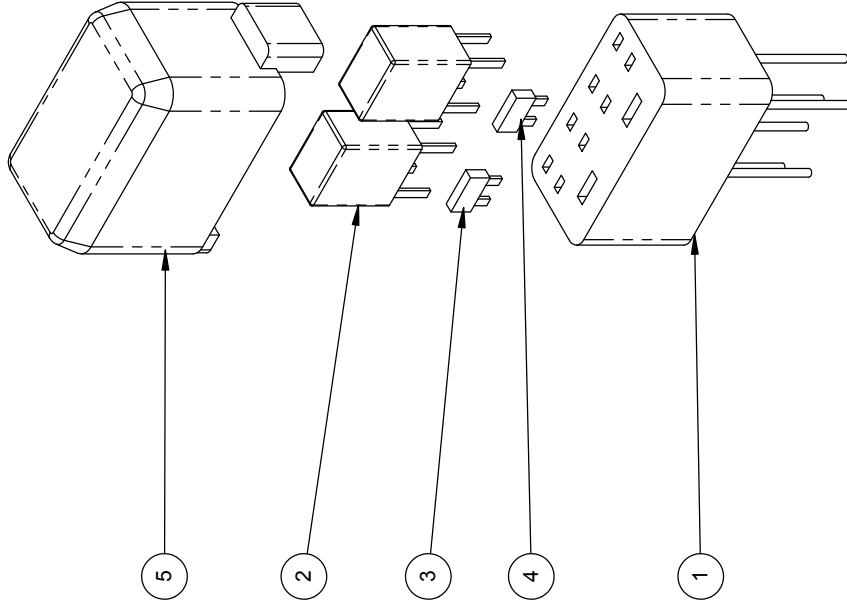


1 35 HP MODEL USES 3 WEIGHTS

# BARRETO

TITLE: BATTERY & WEIGHT ASSEMBLY  
 PRODUCT LINE: 30SG / 35SG DATE: 1/14  
 SCALE: 1:8 DWG#: 00326-SG  
 SHEET 1 OF 1

ITEM NO.	QTY.	PART NO.	DESCRIPTION
1	1	12492	FUSE / RELAY HOLDER & WIRES
2	2	12493	RELAY
3	1	12494	FUSE, 5A
4	1	12495	FUSE, 15A
5	1	12492-1	COVER



# BARRETO

TITLE: FUSE / RELAY ASSEMBLY

PRODUCT LINE: 30SG      DATE: 7 / 13

SCALE: 1:2      DWG# 12492-AS

SHEET 1 OF 1